

MHT 10120/10180/10225

HIGH CAPACITY TELESCOPIC HANDLERS



 **MANITOU**

www.manitou.com
Courtesy of CraneMarket.com

MHT 10120 / 10180 / 10225

3 models to choose from



MHT **10120**

10 m / 12 T



MHT **10180**

10 m / 18 T



MHT **10225**

10 m / 22.5 T





MANITOU, MEETING YOUR DEMANDS FOR OVER 50 YEARS.

MANITOU is the only brand able to offer you more than **10 years of experience** in **high capacity telescopic products**. From this experience, the MHT 10120 / 10180 / 10225 range was born to answer your lifting needs **up to 22.5 tons**.

The MHTs allow you to transport **heavy** and **large loads** with **flexibility** and **precision** for **absolute safety**.

With their **wide range of accessories**, which are interchangeable **in seconds**, the MHT benefits from a **unique versatility** adapting to all your needs. Thanks to their **expertise**, **MANITOU** can offer you **solutions adapted** to your **specific demands**.

Robust, these machines are perfect for your **all-terrain handling needs**.

The **ergonomic cab** offers the user **intuitive controls** for **responsive control**. The comfort and the **panoramic vision** allow you to work in optimal conditions and contribute to **safety** when **performing delicate handling operations**.



ABSOLUTE SAFETY

SAFE and PRECISE usage



Ergonomic cab

The **dashboard** contains **all the information** you need (direction of travel, wheel alignment, boom angle, fuel level, hour meter, temperature level, filter clogging...).

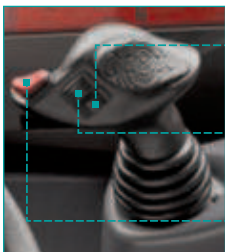
As standard, the **longitudinal stability indicator**, coupled with a system which cuts off **aggravating movements**, allows all the **accessories** to be used in complete **safety**.

Load moment indicator

For **absolute safety** when **carrying out complex handling**, the load moment indicator (optional) allows you to define the working envelope parameters for each accessory at a given capacity.

JSM® : everything in the palm of your hand

The hydraulic 'load sensing' system regulates the oil flow upon the operator's request, ensuring the handler's precise and smooth operation.

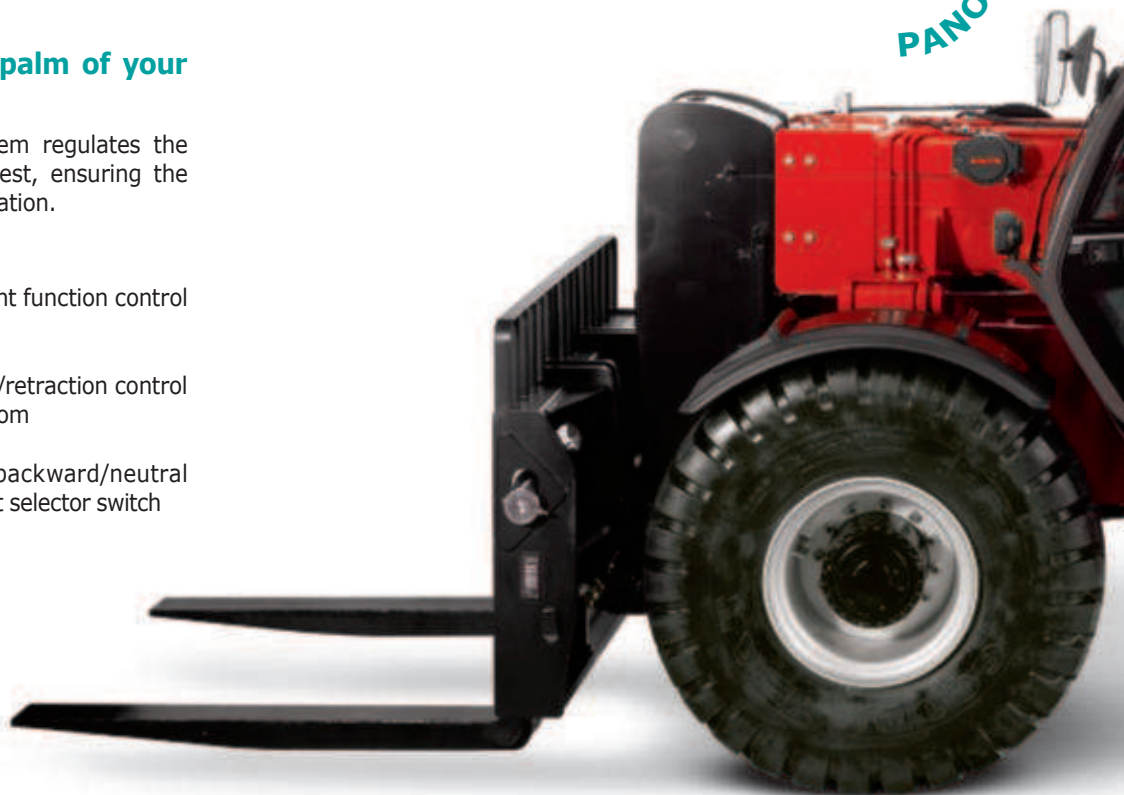


■ Attachment function control

■ Extension/retraction control for the boom

■ Forward/backward/neutral movement selector switch

PANORAMIC



■ **Chassis levelling +/- 10°**
(5° on MHT 10225)



Capacity vs. machine build

Giving the **best compromise** between **lifting capacity** (up to 22.5 tons) and **machine dimensions**, the MHTs are easily transportable **and are ideal for manoeuvres on difficult terrains**.

Radio control

The radio control (optional) **eliminates all risk of errors** for precise handling operations which require **perfect visibility** and expertise in load placement. According to your needs, the operator can therefore position their load from outside the cab in closer proximity to the working area.



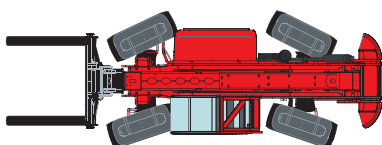
CABIN

ROPS / FOPS PROTECTION

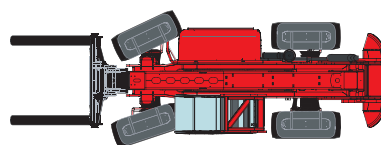
SAFE AND QUICK ACCESS

via a wide door and a non-slip step

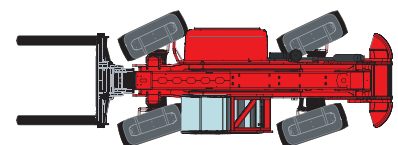
3 steering modes



4-wheel steer for short manoeuvres on confined sites



Front wheel steer for road travel



Crab Steer for lateral approaches and delicate manoeuvring

PRODUCTIVITY

■ ■ PERFORMANCE and ROBUSTNESS



175 hp / 128 kW Engine

Stage 3A
Torque 650 Nm
4 cylinders – 4.25 l
Low fuel consumption
and easy access maintenance.

Transmission

Two speed hydrostatic, extremely
flexible and precise, automatic
negative handbrake.



up to **47** cm

Good ground clearance

Lifting height

10 m



3 nominal capacities

12 · 18 · 22.5 T

High capacity for heavy and large loads

From precast concrete to containers, from durable loads to the most fragile, the various MHT combinations and accessories answer all your needs.



Robust axles

The technology, similar to heavy duty handling equipment, is adapted to all-terrain conditions.



All-terrain Capability

A true all-terrain handling machine with class-leading performance: permanent 4 wheel drive, central differential, good ground clearance.

load of more than **4 m**



Your MANITOU truck is a real **tool box...**

Thanks to the MANITOU **attachment system**, you can **easily and within seconds equip your handler with numerous attachments:** winches, brackets, baskets, side shifts, tyre clamps, cylinder clamps...



MANITOU answers all your specific needs whilst maintaining **made-to-measure accessories.**



...for a **multitude of applications**

The **adaptability** of MANITOU trucks **meets all your working needs and optimises work time and productivity:**

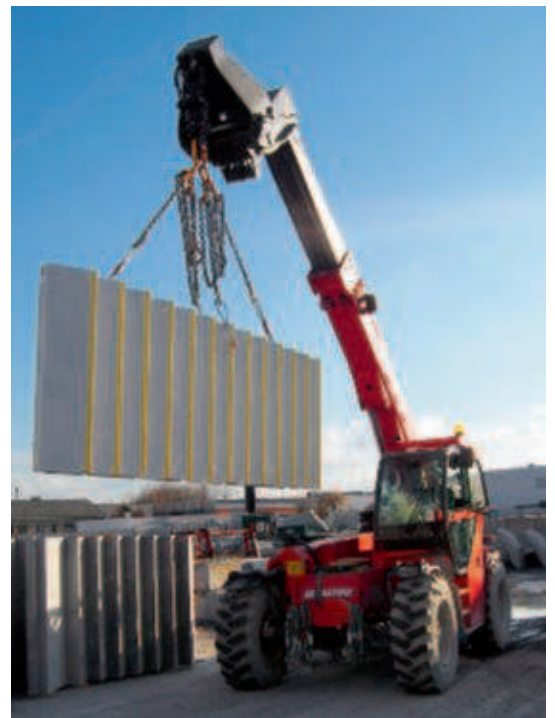
- load placement
- suspended load placement
- lifting people...

LOAD PLACEMENT			
Forks	Hook crane jibs	Crane jibs	Winches

PEOPLE LIFTING			
Fixed basket	Extendible basket	Extendible basket with hoist	Basket on telescopic arm

CYLINDER CLAMPS AND TYRE CLIP		
4 T Cylinder clamp	10 T Cylinder clamp	Tyre Clamp







Tailor-made finance to make the best use of your funds

You can plan the purchase of your forklift with peace of mind by using MANITOU* financing opportunities.

You will have simple solutions adapted to your needs and seasonal requirements. If you want to make a rapid investment, consider asking us for a personalised proposal to take your situation into account.

* MANITOU Finance solutions are available in certain countries.

MANITOU maintenance contract

2 levels of maintenance adapted to your needs. You are sure of:

- equipment always in good working condition
- a reduction of repair costs as a result of regular servicing
- authentic standardised services

- Labour
- Attendance costs



- Labour
- Attendance costs
- Parts and lubricants



MANIPLUS extension of guarantee

With MANIPLUS you can take out an extension of guarantee of 12 or 24 months.

EASY MANAGER

A simple and flexible system for fleet management (with or without geolocation) to provide optimum service from your machines. EASY MANAGER gives you:

- real-time materials management
- simple and easy way of managing your machinery activity and maintenance.
- maximise your asset and safeguard your equipment




MANITOU spare parts

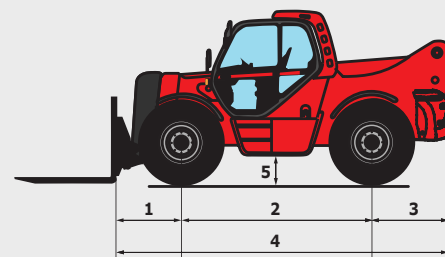
Utilising genuine MANITOU spare parts is sure to prolong the best performance capability of your machine. Your MANITOU dealer has access to a stock of 70,000 part numbers, available in 24 hours in Europe (48 hours outside Europe).



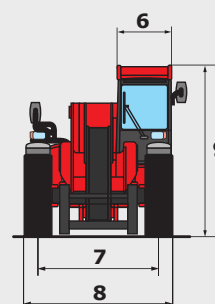
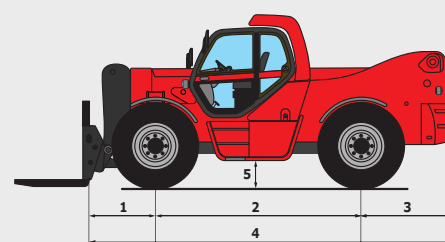
MHT 10120/10180/10225

	MHT 10120	MHT 10180	MHT 10225
Lifting			
Max. capacity 600 mm CDG	12000 kg	18000 kg	
Max. capacity 900 mm CDG			22500 kg
Max. capacity 1200 mm CDG	8000 kg	14000 kg	18500 kg
Max. lifting height	9.62 m	9.70 m	
Time unladen (in seconds)			
Lifting	13.0 secs	25.0 secs	32.0 secs
Lowering	9.0 secs	17.0 secs	18.5 secs
Extension	14.5 secs	14.0 secs	14.0 secs
Retraction	9 secs	11.0 secs	11.0 secs
Tyres			
	17.5 - 25	445/95 R25 XLB	18 R25 XZM2
Braking			
Service brake	oil immersed multi-disc braking on front/rear axles		
Parking brake	automatic negative handbrake		
Engine			
	MERCEDES - STAGE 3A		
Type	OM 904		
Cubic capacity	4250 cm ³		
Power	175 HP / 129 kW		
Max. torque	675 Nm - 1200 rpm		
Injection	direct		
Cooling	water		
Laden drawbar pull	11300 daN	15500 daN	17400 daN
Gradient (laden/unladen)	85% / 37%	68% / 33%	72% / 34%
Transmission			
	hydrostatic with automatic power regulation 4 wheel drive		
Reversing shift	electromagnetic		
Number of gears (forward/reverse)	2/2		
Max. travel speed (may vary according to applicable regulations)	25 km/h		
Axle	DANA	OMCI	
Steering mode	4 wheel steer 3 steering modes		
Controls			
	JSM® Joystick multi - function load limiter cut off system - EN15000 Norm		
Hydraulics			
Pump Load Sensing	165 l/min - 350 bar	170 l/min - 350 bar	
Capacities			
Hydraulic oil	290 l		
Fuel	200 l		
Unladen weight (with forks)			
	17000 kg	24080 kg	29800 kg
Dimensions			
1. Front wheel centre to carriage	1.22 m	1.33 m	1.35 m
2. Wheelbase	3.30 m	3.65 m	3.65 m
3. Rear wheel centre to rear face	1.42 m	1.62 m	1.86 m
4. Overall length to carriage	5.95 m	6.60 m	6.86 m
5. Ground clearance	0.44 m		0.47 m
6. Overall width of cab	0.90 m		
7. Inside tyre width	1.96 m	2.07 m	
8. Overall width	2.50 m		2.66 m
9. Overall height	2.90 m	2.93 m	2.96 m
Standard forks (length x width x thickness)	1800 x 200 x 70 mm	1500 x 200 x 80 mm	1800 x 250 x 100 mm
Turning radius (over tyres)	4.53 m	5.68 m	6.05 m
Frame levelling	+/- 10°		+/- 5°
Carriage rotation (crowd/dump)	20°/115°	12°/105°	
Noise and vibration			
Noise at driving position (LpA)	79.2 dB		
Environmental noise (LwA)	108 dB		
Vibration to whole hand/arm	<2.5 m/s ²		

MHT 10120



MHT 10180 - MHT 10225



This brochure describes versions and configuration options for MANITOU products which may be fitted with different equipment. The equipment described in this brochure may be standard, optional or not available depending on version. MANITOU reserves the right to change the specifications shown and described at any time and without prior warning. The manufacturer is not liable for the specifications given. For more information, contact your MANITOU dealer. Non-contractual document. Product descriptions may differ from actual products. List of specifications is not comprehensive. The logos and visual identity of the company are the property of MANITOU and may not be used without authorisation. All rights reserved. The photos and diagrams contained in this brochure are provided for information only.

MANITOU BF SA - Limited company with board of directors - Share capital: 39,547,824 euros - 857 802 508 RCS Nantes

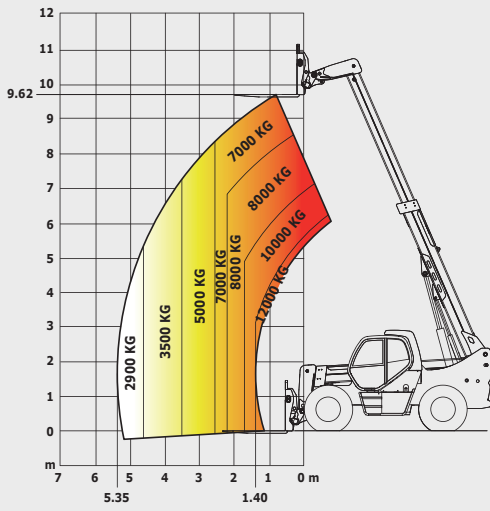


MHT 10120

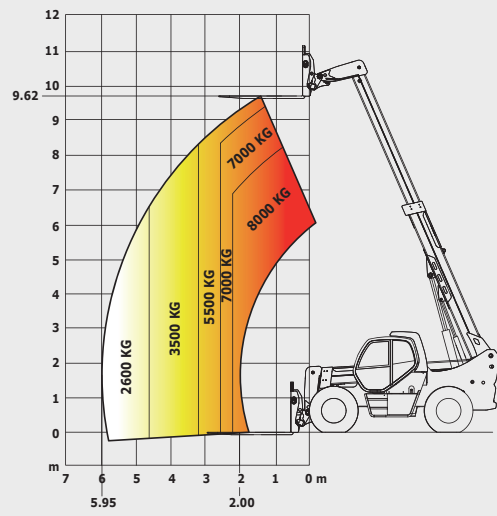
Rough terrain load chart

standard EN1459 B

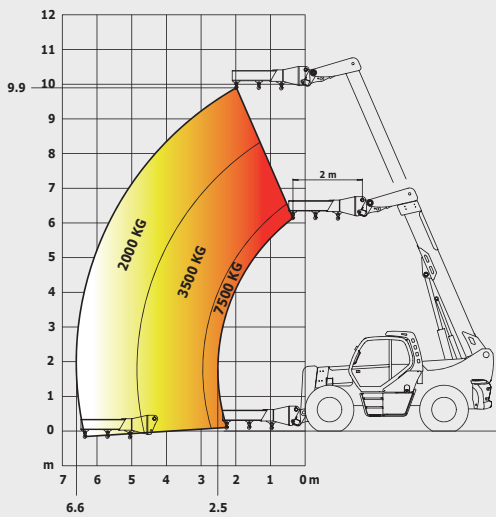
600 mm CDG Forks



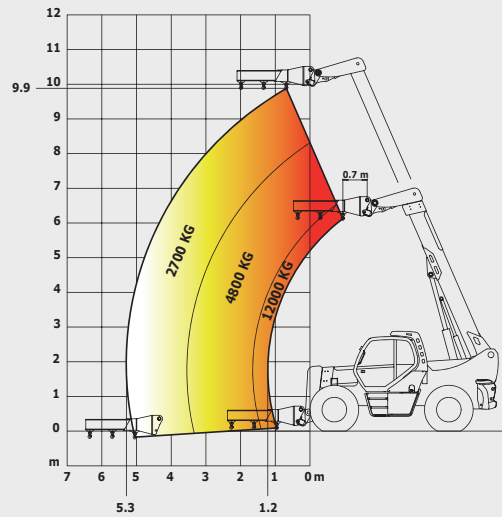
1200 mm CDG Forks



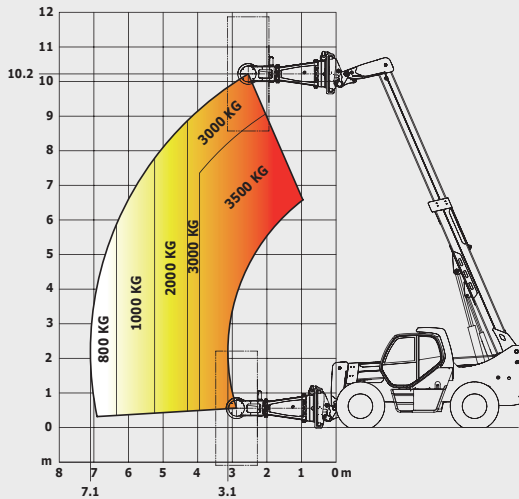
Crane jib hook 7.5 T



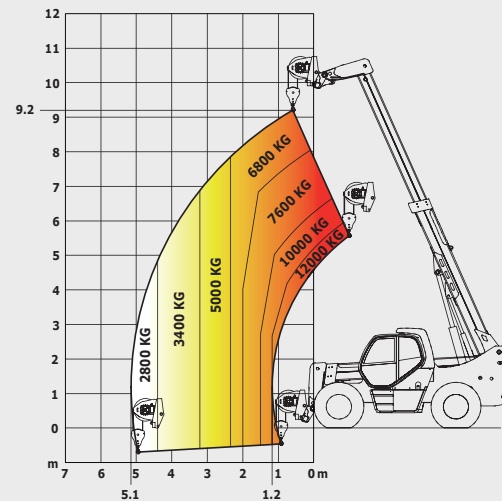
Crane jib hook 12 T



Clamp Tyres TH 51



Winch 12 T



This brochure describes versions and configuration options for MANITOU products which may be fitted with different equipment. The equipment described in this brochure may be standard, optional or not available depending on version. MANITOU reserves the right to change the specifications shown and described at any time and without prior warning. The manufacturer is not liable for the specifications given. For more information, contact your MANITOU dealer. Non-contractual document. Product descriptions may differ from actual products. List of specifications is not comprehensive. The logos and visual identity of the company are the property of MANITOU and may not be used without authorisation. All rights reserved. The photos and diagrams contained in this brochure are provided for information only.

MANITOU BF SA - limited company with board of directors - Share capital: 39,547,824 euros - 857 802 508 RCS Nantes

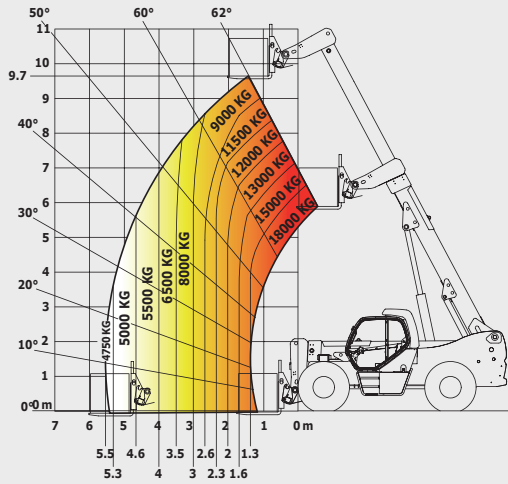


MHT 10180

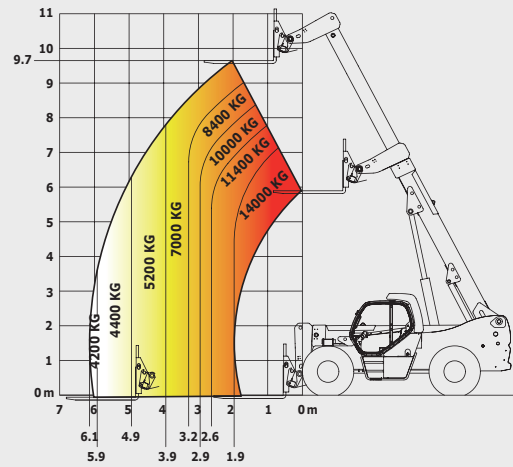
Rough terrain load chart

standard EN1459 B

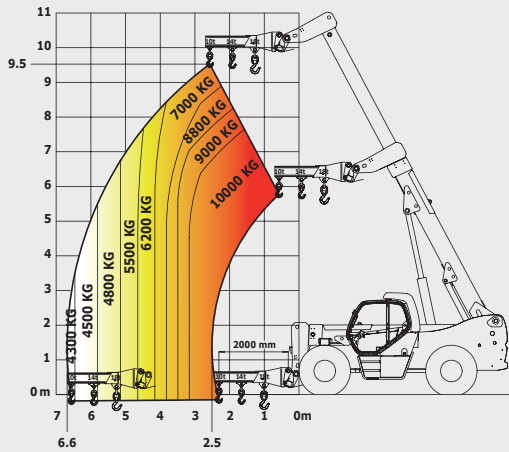
600 mm CDG Forks



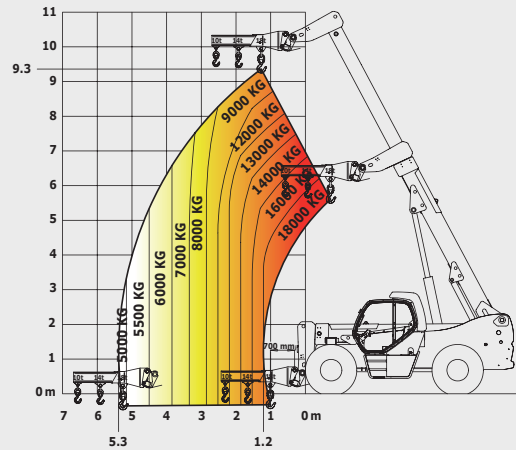
1200 mm CDG Forks



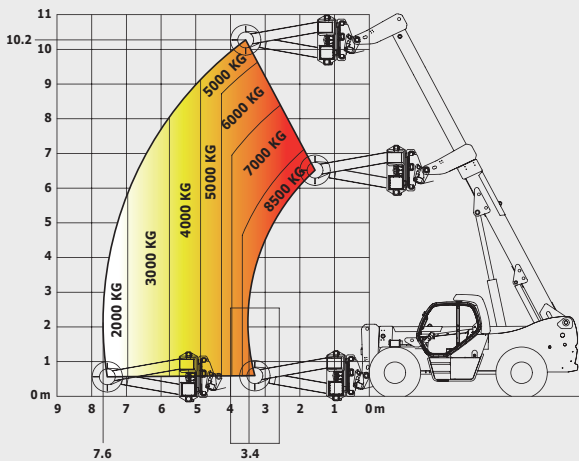
Crane jib 10 T hook



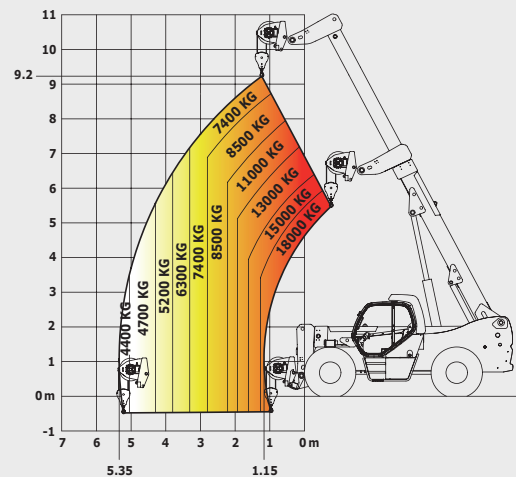
Crane jib 18 T hook



TH 63 Tyre clamp



Winch 18 T



This brochure describes versions and configuration options for MANITOU products which may be fitted with different equipment. The equipment described in this brochure may be standard, optional or not available depending on version. MANITOU reserves the right to change the specifications shown and described at any time and without prior warning. The manufacturer is not liable for the specifications given. For more information, contact your MANITOU dealer. Non-contractual document. Product descriptions may differ from actual products. List of specifications is not comprehensive. The logos and visual identity of the company are the property of MANITOU and may not be used without authorisation. All rights reserved. The photos and diagrams contained in this brochure are provided for information only.

MANITOU BF SA - limited company with board of directors - Share capital: 39,547,824 euros - 857 802 508 RCS Nantes

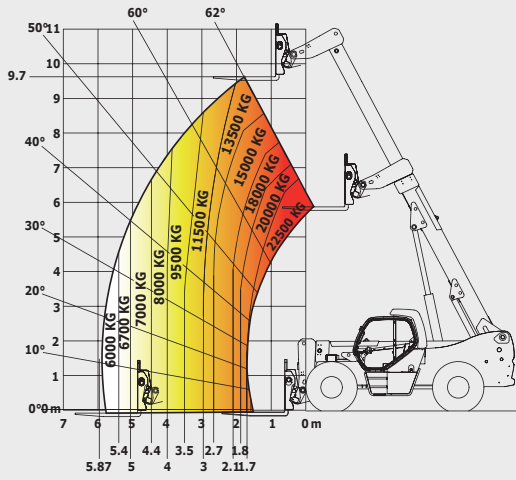


MHT 10225

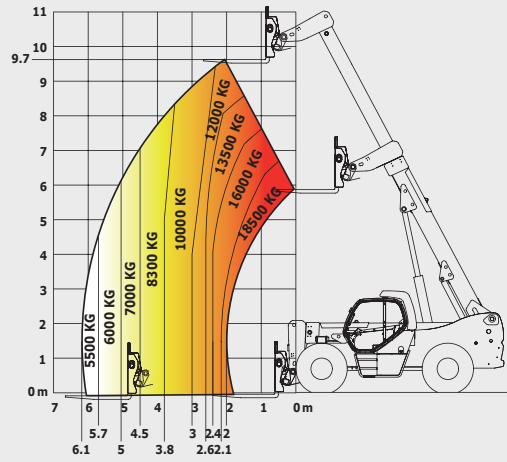
Rough terrain load chart

standard EN1459 B

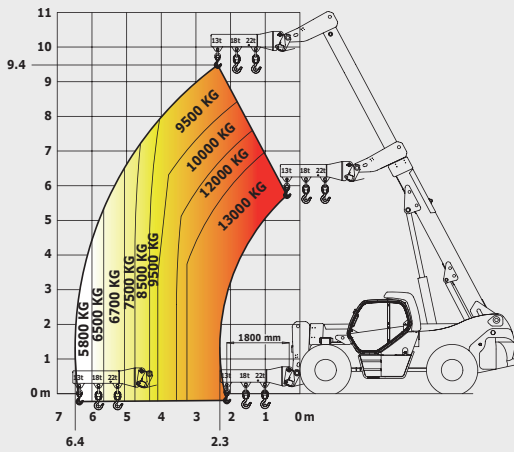
900 mm CDG Forks



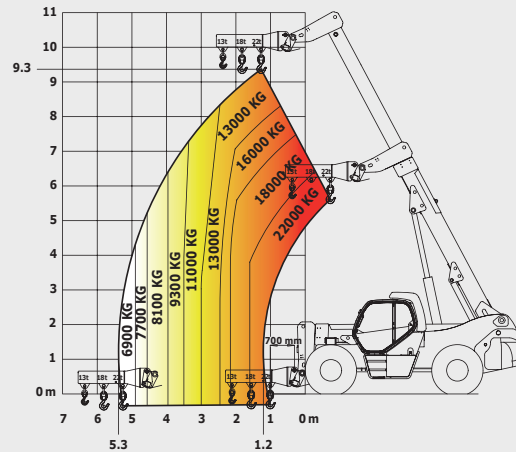
1200 mm CDG Forks



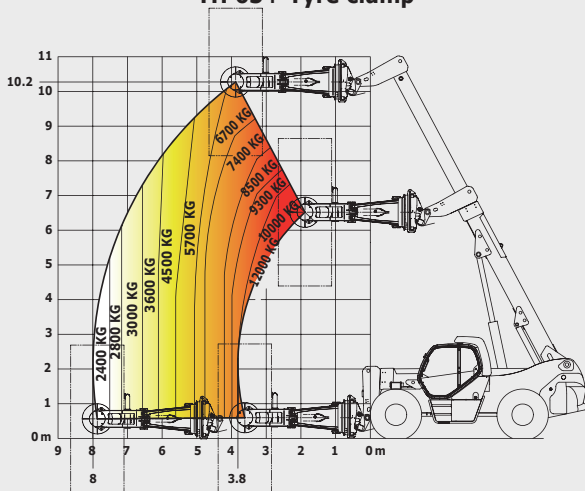
Crane Jib 13T Hook



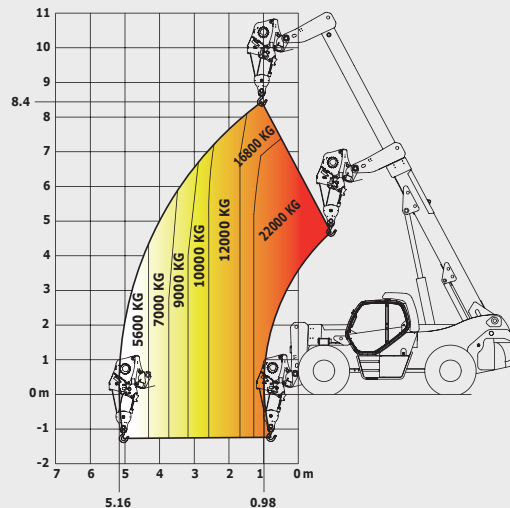
Crane Jib 22T Hook



TH 63+ Tyre clamp



Winch 22 T



This brochure describes versions and configuration options for MANITOU products which may be fitted with different equipment. The equipment described in this brochure may be standard, optional or not available depending on version. MANITOU reserves the right to change the specifications shown and described at any time and without prior warning. The manufacturer is not liable for the specifications given. For more information, contact your MANITOU dealer. Non-contractual document. Product descriptions may differ from actual products. List of specifications is not comprehensive. The logos and visual identity of the company are the property of MANITOU and may not be used without authorisation. All rights reserved. The photos and diagrams contained in this brochure are provided for information only.

MANITOU BF SA - Limited company with board of directors - Share capital: 39,547,824 euros - 857 802 508 RCS Nantes



Your nearest **MANITOU** dealer:



Head office:
B.P. 249 - 430 rue de l'Aubinière - 44158 Ancenis Cedex - France
Tel: 00 33 (0)2 40 09 10 11 - Fax: 00 33 (0)2 40 09 10 97
www.manitou.com