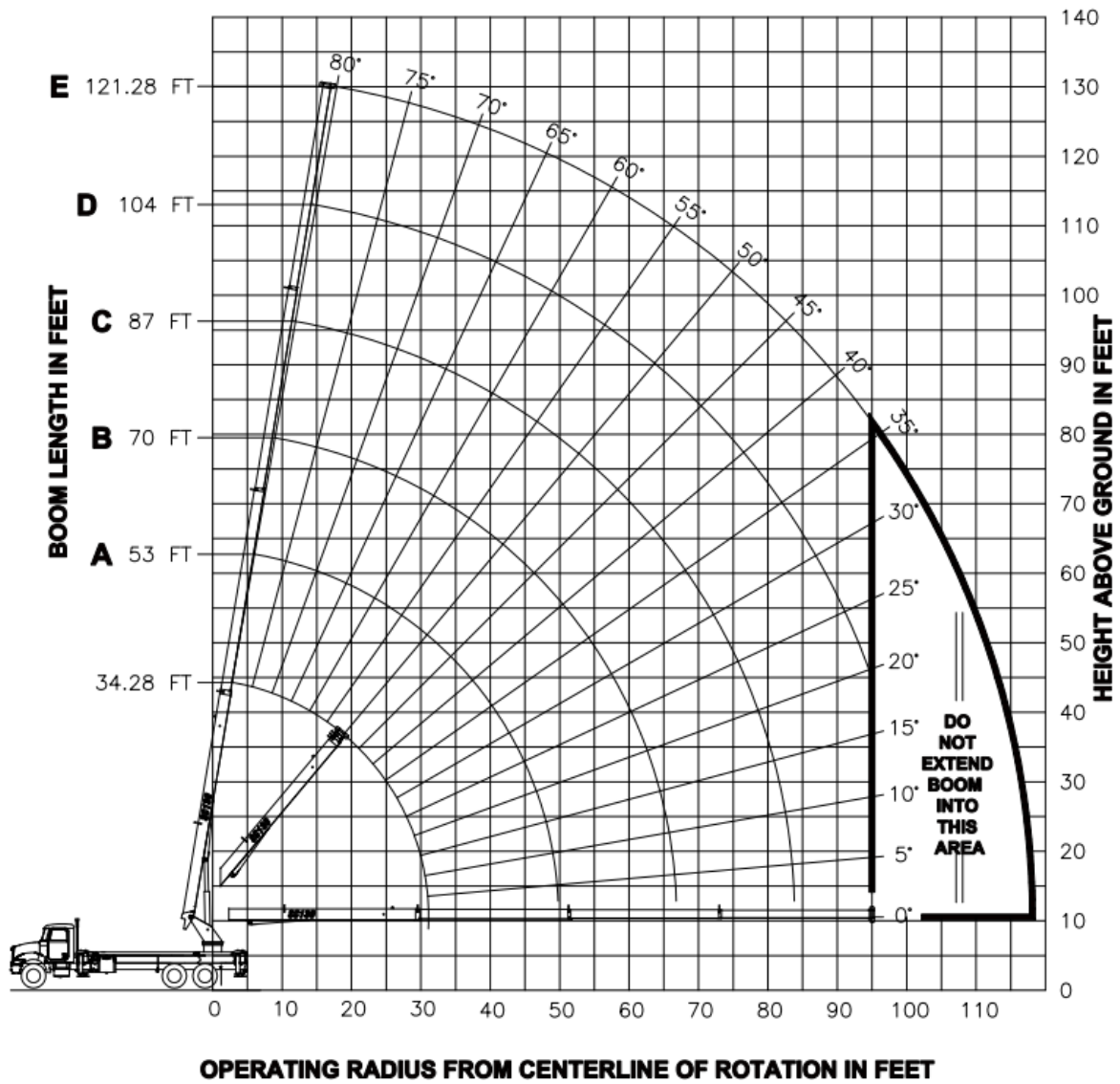


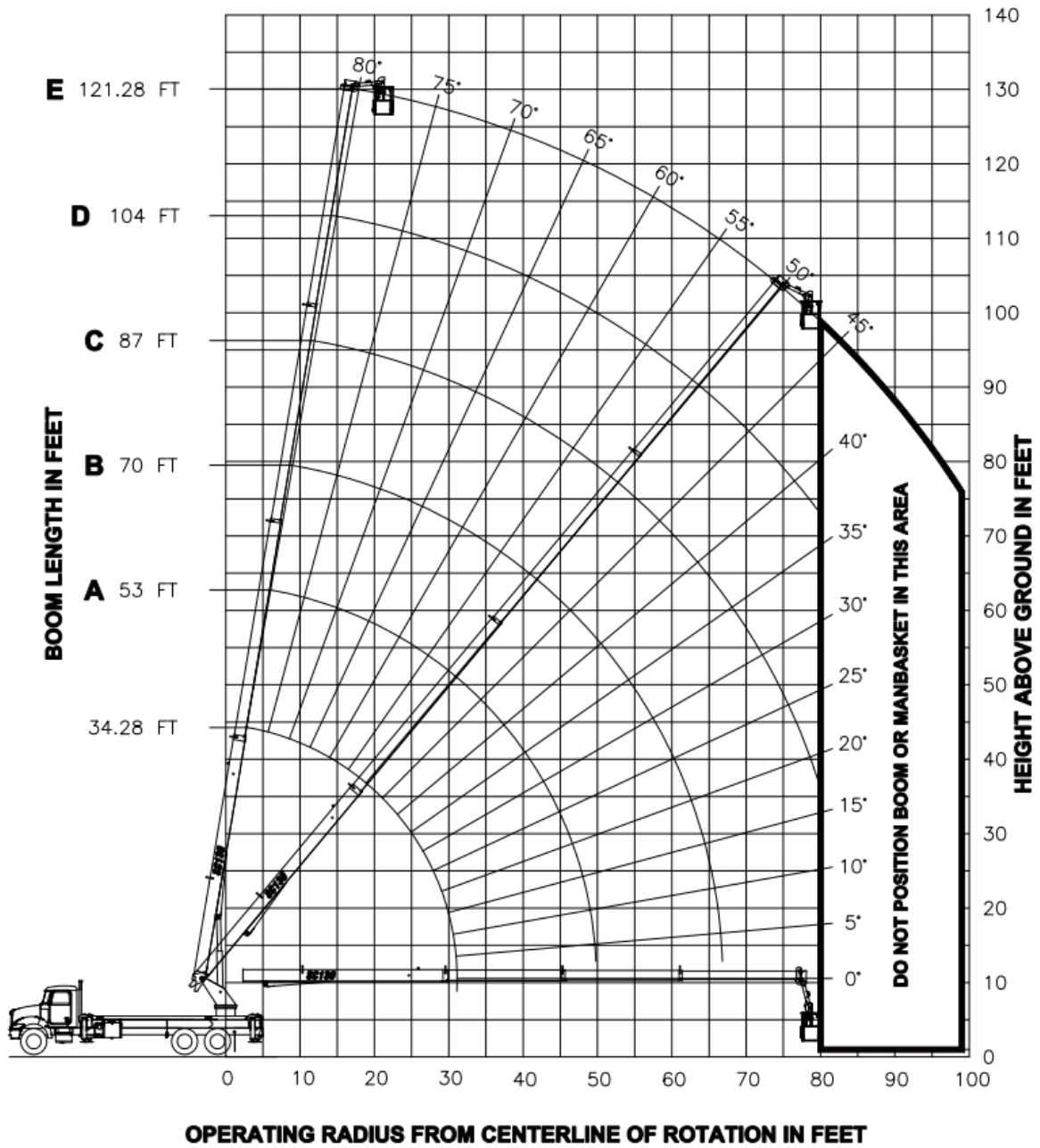
**- RANGE DIAGRAM FOR CRANE OPERATION -**



### MAIN BOOM LIFTING CAPACITIES

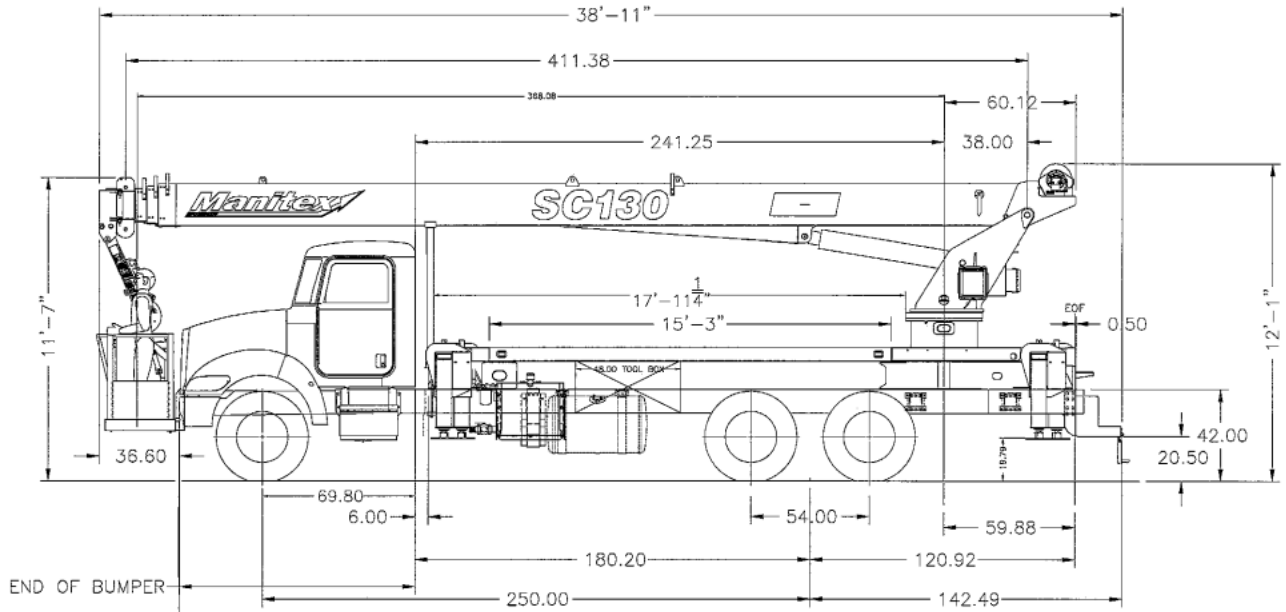
LOAD RADIUS (FT)	BOOM LENGTH 34.28 FT		BOOM LENGTH 53 FT (A)		BOOM LENGTH 70 FT (B)		BOOM LENGTH 87 FT (C)		BOOM LENGTH 104 FT (D)		BOOM LENGTH 121.28 FT (E)		LOAD RADIUS (FT)
	LOADED BOOM ANGLE (DEG)	FULL 360° (LBS)	LOADED BOOM ANGLE (DEG)	FULL 360° (LBS)	LOADED BOOM ANGLE (DEG)	FULL 360° (LBS)	LOADED BOOM ANGLE (DEG)	FULL 360° (LBS)	LOADED BOOM ANGLE (DEG)	FULL 360° (LBS)	LOADED BOOM ANGLE (DEG)	FULL 360° (LBS)	
5	77.5	4000											5
8	72	4000											8
10	68.5	4000	76.5	4000									10
12	65	4000	74.5	4000	78.5	4000							12
15	59	4000	71	4000	76	4000	79.5	4000					15
20	48.5	4000	65	4000	72	4000	76	4000	79.5	4000			20
25	36	4000	59	4000	68	4000	73	4000	77	4000	79.5	4000	25
30	16	4000	52.5	4000	63.5	4000	69.5	4000	74	4000	78	4000	30
35			45.5	4000	59	4000	66.5	4000	71.5	4000	75.5	4000	35
40			37	4000	54	4000	63	4000	69	4000	73.5	3680	40
45			26.5	4000	48.5	4000	59.5	4000	66	3760	71	3310	45
50					43	4000	55.5	3630	63	3280	68.5	2930	50
55					36	3500	51	3160	59.5	2870	66	2570	55
60					27.5	3050	46.5	2750	56.5	2500	63	2260	60
65					15.5	2580	41.5	2400	52.5	2180	60	1970	65
70							36	2080	49	1890	57	1710	70
75							29	1800	45	1630	54	1480	75
80							20	1550	40.5	1400	51	1270	80
85									35.5	1190	47.5	1070	85
90									30	1000	44	900	90
95									22.5	830	40	730	95
100													100

**- RANGE DIAGRAM FOR MANBASKET OPERATION -  
MAXIMUM BASKET CAPACITY IS 600 LBS**

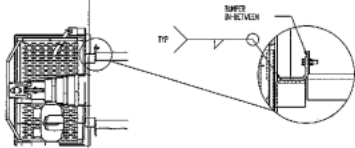


**Manitex**

**MODEL SC130 PETE 348**



END OF BUMPER



FILE NAME: 13-019

DRAWN BY: ROBERTSON

SCALE: 1"=55"

DATE: 1/29/13