

GRT9165

Product Guide

ANSI B30.5
Imperial 85%

Features

- 150 t (165 Ust) capacity
- 13,7 m – 62,5 m (44.9 ft – 205 ft) six-section MEGAFORM™ boom
- TWIN-LOCK™ boom pinning system
- 11,2 m – 17,8 m (36.7 ft – 58.4 ft) manual or hydraulic bi-fold lattice swingaway extension with offsets up to 50°
- Crane Control System (CCS)
- New wider full vision cab with 20° cab tilt

GROVE GRT9165

The GRT9165 was designed after gathering feedback from crane owners and operators to ensure that it is loaded with the features and reliability you demand.

Features

> New wider full vision cab

The new wider full vision cab was designed with operator comfort, visibility and productivity in mind. Additional width, redesigned armrests and 20° cab tilt maximize the operator experience. Standard features include tilt/telescoping steering wheel, USB charging port, electronic seat adjustments, high-output heating and air conditioning system, large pivoting cup holder, windshield sun visor, added storage behind the seat, and three camera package. Additional optional equipment includes radio with Bluetooth and heated seat.

> Innovative control system

The Crane Control System (CCS) offers a user-friendly interface, two full graphic displays mounted independently for easy adjustment and an arm rest jog dial for convenient navigation and data input. The system allows the electronic controllers to be programmed by the operator for specific speed and reaction. Parts commonality across Grove, Manitowoc and Potain product lines enhances operator familiarization and serviceability. Additional features include ECO mode, Working Range Limiter (WRL) and Boom Configurator telescoping mode.

> Superior strength and reach

Class-leading lifting performance is enhanced by the 13,7 m to 62,5 m (44.9 ft to 205 ft) six-section MEGAFORM™ boom with TWIN-LOCK™ boom pinning system. The MEGAFORM™ boom design provides exceptional strength-to-weight ratio. Boosting overall reach is the 17,8 m (58.4 ft) manual or hydraulic swingaway jib, which can be further extended by adding an 8 m (26.2 ft) lattice insert for a total extension length of 25,8 m (84.6 ft). Either swingaway jib can be offset up to 50°, which is unmatched in its class and provides additional reach and versatility.

> Backing up our promise

Our new GRT line of Rough Terrain cranes have been designed from the ground up to provide class-leading specifications, and have undergone extensive testing to ensure they provide industry-leading quality and reliability. We stand behind our new line of GRT cranes, and we are willing to prove it. With new three, four or five-year extended warranty programs as well as a new two-year standard warranty, our GRT line of cranes are built to be GROVE. REAL. TOUGH.



**THE ONLY FIVE-YEAR
WARRANTY PROGRAM
AVAILABLE IN THE INDUSTRY**

GRT9165 benefits

- > Class-leading boom length and capacities maximize utilization.
- > Compact transport height and self-rigging, removable components allow for efficient and easy transportation to the job.
- > Wireless rigging remote enables fast and convenient setup.
- > TWIN-LOCK™ boom pinning system maximizes capacities by reducing weight inside the extended boom.
- > Boom Configurator mode increases efficiency and simplifies telescoping operation.
- > Manual or hydraulic bi-fold swingaway with offset capability to 50° increases ability to reach over obstacles and increases jobsite versatility.
- > Innovative smart-sensing outrigger monitoring system offers reliable accuracy.
- > ECO mode supports intelligent power management and decreased fuel consumption.
- > New wider cab with 20° cab tilt and high-output heating and air conditioning system maximizes operator comfort.
- > Four modes of steering increase jobsite maneuverability and make crane positioning easier.



Manitowoc Crane Care when you need it.

The assurance of the world's most advanced crane service and support to get you back to work fast.



Manitowoc Finance helps you get right to work generating profits for your business.

Financial tools that help you capitalize on opportunity with solutions that fit your needs.

Contents

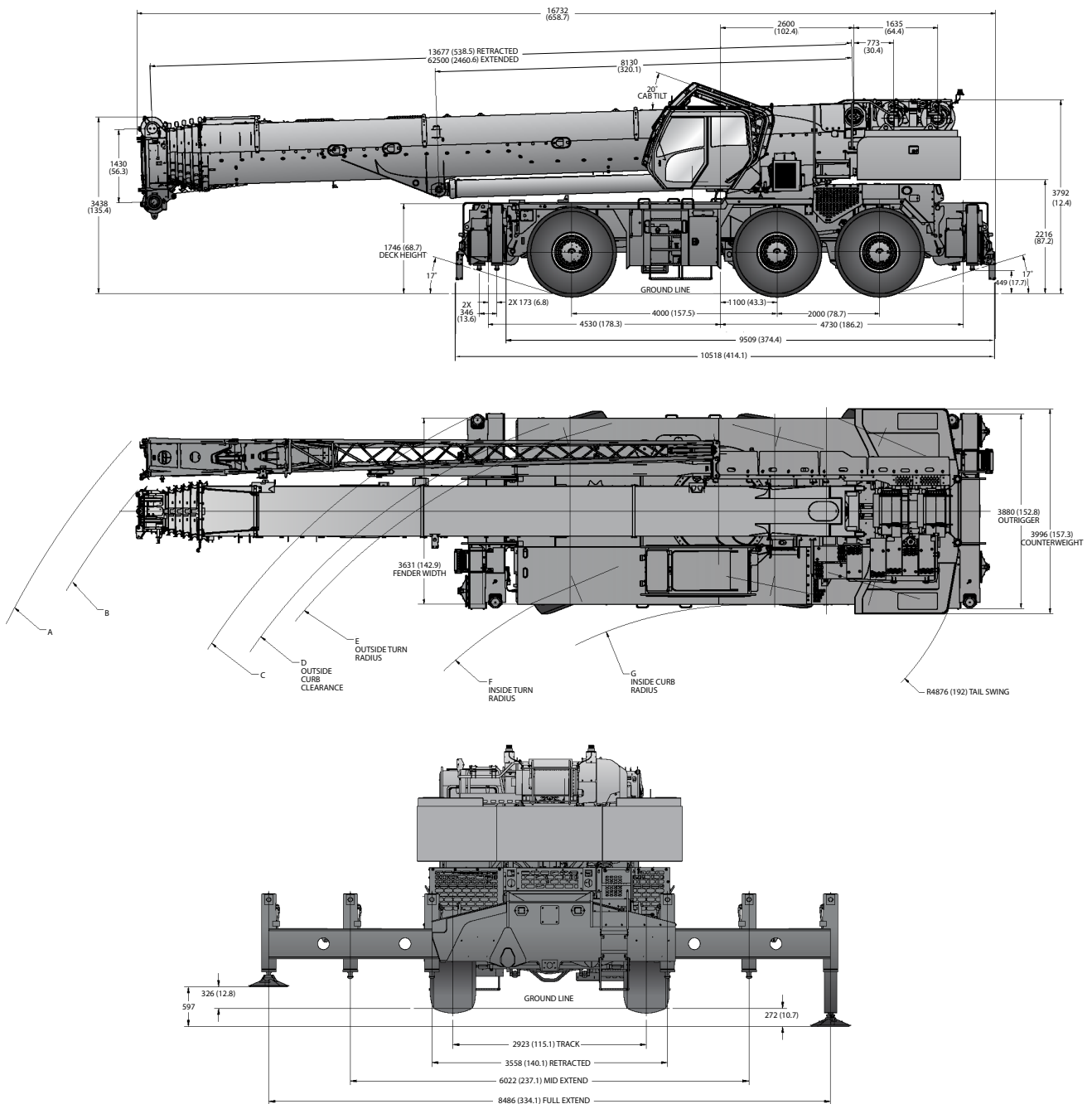
- Dimensions 5
- Dimensions and weights..... 6
- Working range with main boom and bi-fold extension7
- Load chart for main boom and bi-fold extension..... 8
- Load chart for manual bi-fold extension..... 9
- Load chart for hydraulic extension..... 11
- Working Range for insert and bi-fold extension 13
- Load chart with insert and bi-fold extension 14
- Load chart for pick and carry 16
- Rigging chart17
- Load handling 18
- Specifications..... 19
- Symbols glossary22

Dimensions

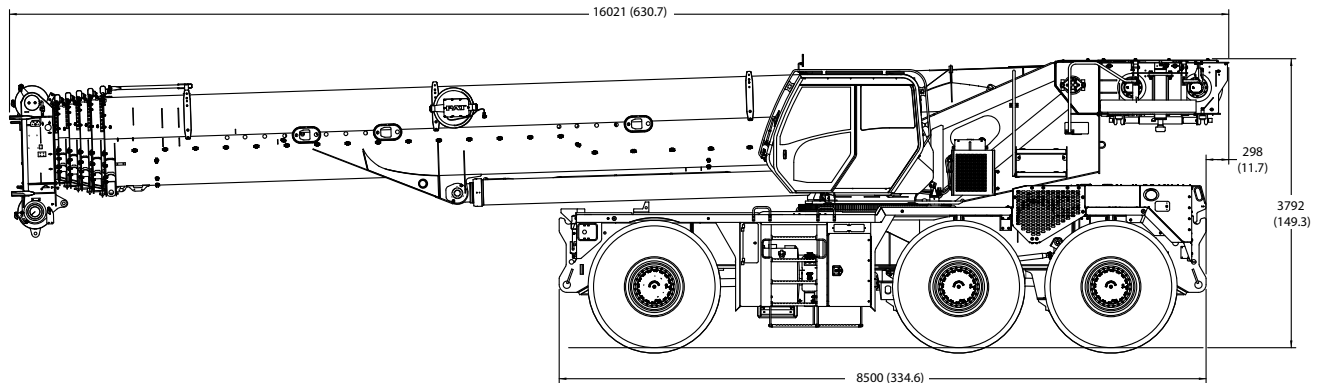
Tire size: 26.5 x 25

| A | B | C | D | E | F | G | A | B | C | D | E | F | G |
|--------------------|--------------------|---------------------|--------------------|---------------------|--------------------|--------------------|--------------------|--------------------|--------------------|--------------------|--------------------|-------------------|-------------------|
| 19,7 m (64' 8") | 19,0 m (62' 4") | 16,4 m (53' 10") | 15,6 m (51' 2") | 15,2 m (49' 10") | 12,5 m (41' 0") | 11,2 m (36' 9") | 15,0 m (49' 3") | 14,4 m (47' 3") | 11,3 m (37' 1") | 10,6 m (34' 9") | 10,2 m (33' 6") | 7,4 m (24' 3") | 6,5 m (21' 4") |
| Two-wheel steer | | | | | | | Six-wheel steer | | | | | | |

Dimensions in mm (in) unless otherwise specified.



Dimensions and weights



TRANSPORT DIMENSIONS
OUTRIGGER BOXES AND COUNTERWEIGHT REMOVED

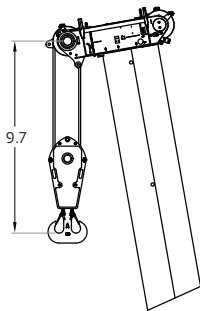
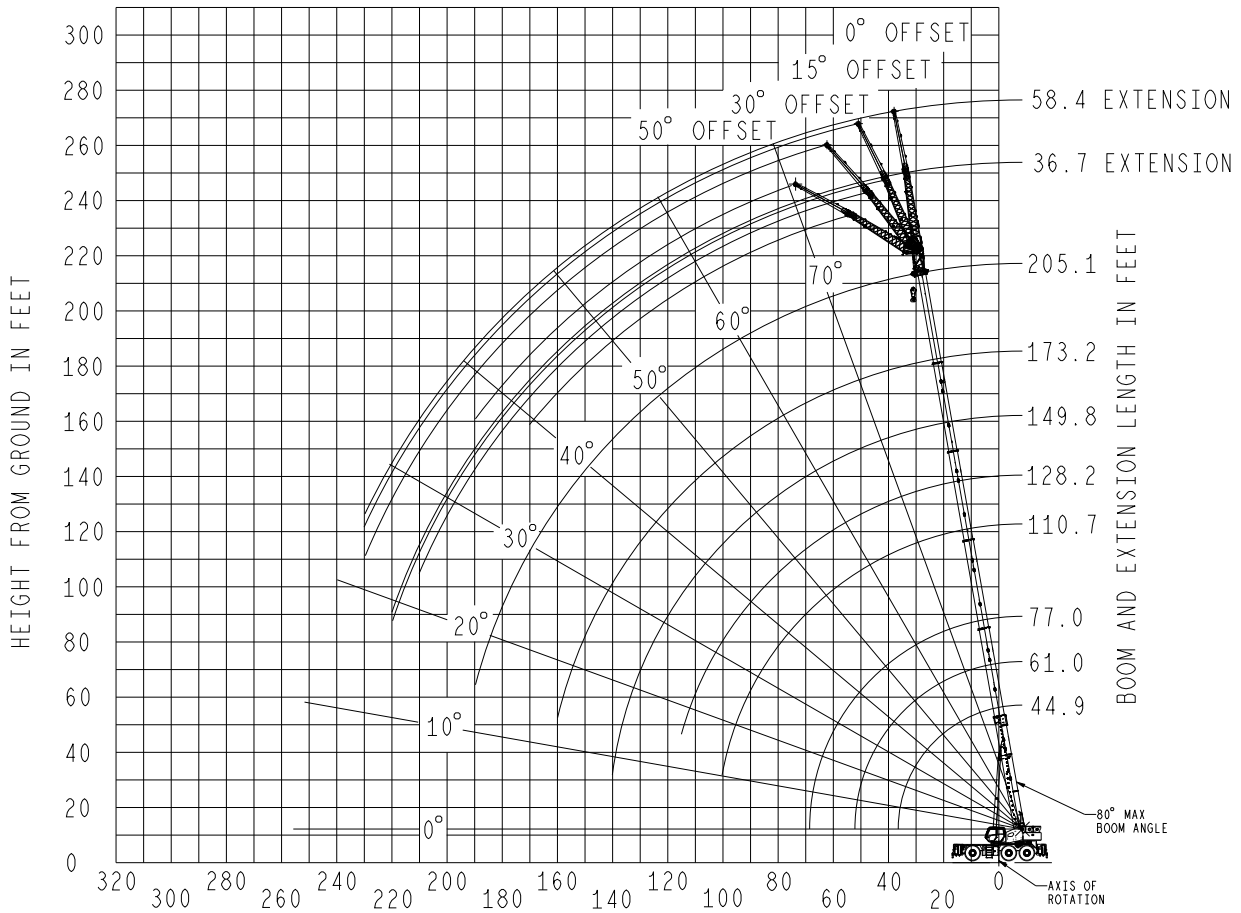
| Weights | Gross | | Axle 1 | | Axles 2 & 3 | |
|--|---------|---------|---------|---------|-------------|---------|
| | kg | lb | kg | lb | kg | lb |
| Basic crane with Cummins T4F/Stage V engine, 62,5 m (205 ft) main boom, main and auxiliary hoist with wire rope, 17,8 m (58.4 ft) manually offset bi-fold swingaway, 100 t (112 USt) hook block, 11 t (12 USt) overhaul weight, auxiliary boom nose, front and rear outrigger box installed and 25,764 kg (56 800 lb) counterweight | 86,996 | 191,793 | 29,169 | 64,307 | 57,827 | 127,486 |
| Substitute 11,2 m – 17,8 m (36.7 ft – 58.4 ft) hydraulically offset bi-fold swingaway and stowage brackets ILO standard manual bi-fold swingaway | 296 | 653 | 615 | 1,355 | -318 | -702 |
| Remove 18 799 kg (41,400 lb) counterweight base and two 3485 kg (7700 lb) counterweight inserts | -25,764 | -56,800 | 8,484 | 18,703 | -34,248 | -75,503 |
| Remove front outrigger box | -3,955 | -8,720 | -5,245 | -11,563 | 1,290 | 2,843 |
| Remove rear outrigger box | -3,955 | -8,720 | 2,081 | 4,587 | -6,036 | -13,307 |
| Remove auxiliary boom nose | -195 | -430 | -534 | -1,177 | 339 | 747 |
| Remove 17,8 m (58.4 ft) manual offset bi-fold swingaway | -1,658 | -3,655 | -2,786 | -6,142 | 1,128 | 2,487 |
| Remove 11 t (12 USt) overhaul weight | -380 | -838 | -599 | -1,320 | 219 | 482 |
| Remove 100 t (112 USt) hook block | -1,140 | -2,513 | -1,071 | -2,362 | -68 | -151 |
| Remove 62,5 m (205 ft) main boom and manually offsettable swingaway extension brackets | -15,816 | -34,868 | -19,340 | -42,637 | 3,524 | 7,769 |

*THIS CHART IS ONLY A GUIDE AND SHOULD NOT BE USED TO OPERATE THE CRANE.
The individual crane's load chart, operating instructions and other instructional plates must be read and understood prior to operating the crane*

Working range

Working range diagram with bi-fold extension

(Boom deflection not shown)



Operating radius in feet from axis of rotation

Dimensions are for the largest Grove furnished hook block, with anti-two block activated.

*THIS CHART IS ONLY A GUIDE AND SHOULD NOT BE USED TO OPERATE THE CRANE.
The individual crane's load chart, operating instructions and other instructional plates must be read and understood prior to operating the crane*

Load chart

Main boom



44.9 ft – 205.1 ft



56,800 lb



100%



360°



Pounds

| Radius in feet | Main boom length in feet | | | | | | | | | | | |
|----------------|--------------------------|-------------|-------------|-------------|-------------|---------------|---------------|---------------|---------------|---------------|--------|--------|
| | 44.9 | 60.9 - 62.4 | 73.5 - 79.9 | 89.5 - 96.1 | 102 - 112.1 | 125.2 - 130.7 | 148.3 - 153.2 | 158.9 - 162.4 | 165.8 - 174.9 | 176.6 - 187.4 | 198 | 205.1 |
| 8 | 330,000* | | | | | | | | | | | |
| 9 | 235,000 | | | | | | | | | | | |
| 10 | 228,000 | 201,000 | | | | | | | | | | |
| 12 | 217,000 | 187,500 | 168,000 | | | | | | | | | |
| 15 | 198,000 | 172,000 | 158,500 | 121,000 | | | | | | | | |
| 20 | 163,500 | 158,500 | 139,500 | 128,000 | 103,000 | | | | | | | |
| 25 | 136,500 | 136,500 | 125,000 | 114,500 | 103,000 | 80,300 | | | | | | |
| 30 | 111,000 | 117,500 | 113,000 | 105,000 | 98,650 | 80,300 | 54,550 | | | | | |
| 35 | 76,850 | 99,950 | 98,050 | 98,250 | 91,200 | 80,300 | 54,550 | 45,300 | 41,100 | | | |
| 40 | | 85,550 | 86,100 | 85,300 | 85,650 | 76,650 | 54,550 | 45,300 | 41,100 | 35,200 | | |
| 45 | | 74,000 | 73,350 | 71,650 | 73,450 | 70,600 | 54,550 | 45,300 | 40,950 | 35,200 | 26,300 | 23,950 |
| 50 | | 57,200 | 61,650 | 63,150 | 61,500 | 63,350 | 51,750 | 45,300 | 38,250 | 35,200 | 26,300 | 23,950 |
| 55 | | | 54,350 | 53,850 | 53,750 | 54,000 | 48,000 | 44,250 | 36,400 | 35,200 | 26,300 | 23,950 |
| 60 | | | 47,000 | 46,700 | 48,550 | 46,950 | 44,400 | 41,400 | 36,400 | 34,000 | 26,300 | 23,950 |
| 65 | | | 41,000 | 42,400 | 42,650 | 41,100 | 39,950 | 38,800 | 34,700 | 31,900 | 26,300 | 23,950 |
| 70 | | | 26,800 | 38,450 | 37,800 | 36,250 | 35,150 | 36,100 | 32,600 | 30,600 | 26,000 | 23,950 |
| 75 | | | | 34,350 | 33,850 | 32,400 | 31,350 | 32,300 | 30,500 | 28,900 | 24,450 | 23,950 |
| 80 | | | | 30,900 | 30,350 | 29,000 | 28,550 | 28,850 | 28,600 | 27,200 | 23,050 | 23,450 |
| 85 | | | | 22,300 | 27,300 | 26,050 | 27,100 | 25,900 | 25,800 | 25,600 | 21,750 | 22,200 |
| 90 | | | | | 24,700 | 23,450 | 24,950 | 23,350 | 23,250 | 24,000 | 20,600 | 21,050 |
| 95 | | | | | 22,500 | 21,200 | 22,700 | 21,150 | 21,800 | 21,750 | 19,500 | 19,950 |
| 100 | | | | | 19,000 | 19,150 | 20,700 | 19,150 | 20,700 | 20,400 | 18,550 | 18,950 |
| 105 | | | | | | 17,400 | 18,950 | 17,400 | 19,000 | 18,700 | 17,600 | 18,000 |
| 110 | | | | | | 15,850 | 17,300 | 16,050 | 17,400 | 17,150 | 16,750 | 16,700 |
| 115 | | | | | | 14,400 | 16,000 | 15,150 | 16,150 | 15,900 | 15,500 | 15,250 |
| 120 | | | | | | 12,750 | 15,100 | 14,300 | 14,800 | 14,600 | 14,200 | 13,950 |
| 125 | | | | | | | 14,400 | 13,500 | 13,600 | 13,400 | 13,050 | 12,800 |
| 130 | | | | | | | 13,600 | 12,750 | 12,500 | 12,300 | 11,950 | 11,700 |
| 135 | | | | | | | 12,550 | 12,050 | 11,500 | 11,300 | 11,000 | 10,750 |
| 140 | | | | | | | 10,450 | 11,200 | 10,550 | 10,350 | 10,050 | 9,840 |
| 145 | | | | | | | | 10,350 | 9,740 | 9,530 | 9,230 | 9,000 |
| 150 | | | | | | | | 7,430 | 8,950 | 8,740 | 8,440 | 8,200 |
| 155 | | | | | | | | | 8,090 | 8,010 | 7,700 | 7,470 |
| 160 | | | | | | | | | 7,610 | 7,330 | 7,020 | 6,780 |
| 165 | | | | | | | | | 2,620 | 6,120 | 6,380 | 6,140 |
| 170 | | | | | | | | | | 5,460 | 5,780 | 5,550 |
| 175 | | | | | | | | | | 4,870 | 5,230 | 4,990 |
| 180 | | | | | | | | | | | 4,710 | 4,470 |
| 185 | | | | | | | | | | | 4,230 | 3,980 |
| 190 | | | | | | | | | | | | 3,530 |

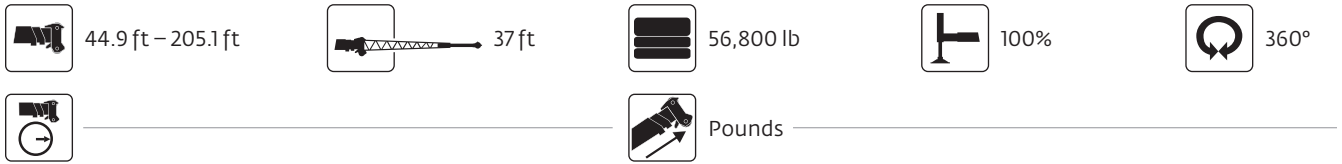
*Requires special equipment

THIS CHART IS ONLY A GUIDE AND SHOULD NOT BE USED TO OPERATE THE CRANE.

The individual crane's load chart, operating instructions and other instructional plates must be read and understood prior to operating the crane

Load chart

Manual bi-fold extension










| Radius in feet | 37 ft boom extension | | | | | | | | | | | | | | | |
|-------------------|----------------------|---------------|---------------|---------------|----------------------|---------------|---------------|---------------|--------------------|---------------|---------------|---------------|----------------------|---------------|---------------|---------------|
| | 176.6 ft boom length | | | | 187.4 ft boom length | | | | 198 ft boom length | | | | 205.1 ft boom length | | | |
| | 0° offset | 15° offset | 30° offset | 50° offset | 0° offset | 15° offset | 30° offset | 50° offset | 0° offset | 15° offset | 30° offset | 50° offset | 0° offset | 15° offset | 30° offset | 50° offset |
| 45 | 19,600 | | | | 17,550 | | | | | | | | | | | |
| 50 | 19,600 | | | | 17,550 | | | | 15,000 | | | | 13,750 | | | |
| 55 | 19,600 | 19,950 | | | 17,550 | 17,650 | | | 15,000 | | | | 13,750 | | | |
| 60 | 19,600 | 19,950 | 20,050 | | 17,550 | 17,650 | | | 15,000 | 15,150 | | | 13,750 | 13,900 | | |
| 65 | 19,600 | 19,950 | 20,050 | 20,950 | 17,550 | 17,650 | 17,800 | | 15,000 | 15,150 | | | 13,750 | 13,900 | | |
| 70 | 19,600 | 19,950 | 20,050 | 20,950 | 17,550 | 17,650 | 17,800 | 18,450 | 15,000 | 15,150 | 15,050 | | 13,750 | 13,900 | 13,700 | |
| 75 | 19,600 | 19,950 | 20,050 | 20,300 | 17,550 | 17,650 | 17,800 | 18,450 | 15,000 | 15,150 | 15,050 | 15,450 | 13,750 | 13,900 | 13,700 | 14,000 |
| 80 | 19,600 | 19,950 | 19,550 | 19,500 | 17,550 | 17,650 | 17,800 | 18,450 | 15,000 | 15,150 | 15,050 | 15,450 | 13,750 | 13,900 | 13,700 | 14,000 |
| 85 | 19,600 | 19,300 | 18,750 | 18,700 | 17,550 | 17,650 | 17,800 | 18,450 | 15,000 | 15,150 | 15,050 | 15,450 | 13,750 | 13,900 | 13,700 | 14,000 |
| 90 | 18,700 | 18,400 | 17,950 | 17,950 | 17,550 | 17,650 | 17,800 | 18,200 | 15,000 | 15,150 | 15,050 | 15,450 | 13,750 | 13,900 | 13,700 | 14,000 |
| 95 | 17,750 | 17,450 | 17,200 | 17,250 | 17,550 | 17,650 | 17,550 | 17,550 | 15,000 | 14,950 | 14,950 | 15,250 | 13,750 | 13,900 | 13,700 | 14,000 |
| 100 | 16,800 | 16,600 | 16,500 | 16,550 | 17,350 | 17,100 | 16,850 | 16,900 | 14,350 | 14,150 | 14,150 | 14,450 | 13,750 | 13,900 | 13,700 | 14,000 |
| 105 | 15,950 | 15,750 | 15,750 | 15,950 | 16,500 | 16,300 | 16,200 | 16,300 | 13,550 | 13,400 | 13,400 | 13,700 | 13,750 | 13,650 | 13,650 | 13,900 |
| 110 | 15,150 | 15,000 | 15,000 | 15,350 | 15,700 | 15,500 | 15,500 | 15,700 | 12,800 | 12,700 | 12,750 | 13,000 | 13,100 | 12,950 | 12,950 | 13,250 |
| 115 | 14,400 | 14,300 | 14,300 | 14,600 | 14,850 | 14,800 | 14,800 | 15,100 | 12,100 | 12,050 | 12,100 | 12,350 | 12,400 | 12,300 | 12,350 | 12,600 |
| 120 | 13,700 | 13,600 | 13,650 | 13,950 | 13,550 | 14,150 | 14,150 | 14,450 | 11,500 | 11,450 | 11,500 | 11,750 | 11,750 | 11,700 | 11,750 | 12,000 |
| 125 | 12,900 | 13,000 | 13,050 | 13,300 | 12,350 | 12,950 | 13,400 | 13,700 | 10,900 | 10,850 | 10,900 | 11,150 | 11,200 | 11,100 | 11,150 | 11,400 |
| 130 | 12,000 | 12,400 | 12,450 | 12,700 | 11,300 | 11,850 | 12,250 | 12,500 | 10,350 | 10,300 | 10,400 | 10,600 | 10,600 | 10,600 | 10,650 | 10,850 |
| 135 | 11,000 | 11,500 | 11,800 | 12,000 | 10,300 | 10,800 | 11,200 | 11,400 | 9,830 | 9,830 | 9,900 | 10,100 | 10,100 | 10,050 | 10,150 | 10,350 |
| 140 | 10,100 | 10,550 | 10,850 | 10,950 | 9,420 | 9,890 | 10,200 | 10,400 | 9,330 | 9,350 | 9,420 | 9,630 | 9,250 | 9,620 | 9,680 | 9,900 |
| 145 | 9,290 | 9,680 | 9,950 | 10,050 | 8,580 | 9,020 | 9,330 | 9,480 | 8,710 | 8,890 | 8,970 | 9,170 | 8,420 | 8,890 | 9,230 | 9,440 |
| 150 | 8,510 | 8,870 | 9,110 | | 7,810 | 8,210 | 8,490 | 8,610 | 7,940 | 8,360 | 8,540 | 8,730 | 7,640 | 8,090 | 8,410 | 8,590 |
| 155 | 7,790 | 8,120 | 8,320 | | 7,090 | 7,460 | 7,710 | 7,790 | 7,220 | 7,610 | 7,880 | 8,000 | 6,930 | 7,340 | 7,630 | 7,780 |
| 160 | 7,120 | 7,420 | 7,590 | | 6,420 | 6,760 | 6,980 | | 6,550 | 6,910 | 7,160 | 7,250 | 6,260 | 6,640 | 6,910 | 7,030 |
| 165 | 6,500 | 6,760 | 6,910 | | 5,800 | 6,110 | 6,300 | | 5,920 | 6,260 | 6,480 | | 5,630 | 5,990 | 6,230 | 6,320 |
| 170 | 5,920 | 6,150 | 6,270 | | 5,210 | 5,500 | 5,660 | | 5,340 | 5,650 | 5,840 | | 5,050 | 5,380 | 5,600 | 5,650 |
| 175 | 5,370 | 5,580 | 5,670 | | 4,670 | 4,930 | 5,060 | | 4,790 | 5,080 | 5,250 | | 4,500 | 4,810 | 5,000 | |
| 180 | 4,860 | 5,040 | 5,100 | | 4,160 | 4,390 | 4,500 | | 4,280 | 4,540 | 4,680 | | 3,990 | 4,270 | 4,440 | |
| 185 | 4,390 | 4,530 | 4,560 | | 3,680 | 3,880 | 3,970 | | 3,800 | 4,030 | 4,150 | | 3,510 | 3,770 | 3,910 | |
| 190 | 3,940 | 4,060 | | | 3,230 | 3,410 | 3,460 | | 3,350 | 3,560 | 3,650 | | 3,060 | 3,290 | 3,410 | |
| 195 | 3,530 | 3,610 | | | 2,810 | 2,960 | 2,980 | | 2,920 | 3,110 | 3,180 | | 2,630 | 2,840 | 2,940 | |
| 200 | 2,860 | 3,090 | | | 2,420 | 2,530 | | | 2,520 | 2,680 | 2,730 | | 2,230 | 2,420 | 2,490 | |
| 205 | | | | | 2,050 | 2,130 | | | 2,150 | 2,280 | 2,300 | | 1,850 | 2,010 | 2,060 | |
| 210 | | | | | 1,690 | 1,750 | | | 1,790 | 1,900 | | | 1,490 | 1,630 | 1,660 | |
| 215 | | | | | | | | | 1,460 | 1,540 | | | 1,160 | 1,270 | | |
| 220 | | | | | | | | | 1,160 | 1,190 | | | | | | |

THIS CHART IS ONLY A GUIDE AND SHOULD NOT BE USED TO OPERATE THE CRANE.
 The individual crane's load chart, operating instructions and other instructional plates must be read and understood prior to operating the crane

Load chart

Manual bi-fold extension

 44.9 ft – 205.1 ft
  59 ft
  56,800 lb
  100%
  360°


 Pounds

| Radius in feet | 59 ft boom extension | | | | | | | | | | | | | | | |
|-------------------|-------------------------|---------------|---------------|---------------|-------------------------|---------------|---------------|---------------|-----------------------|---------------|---------------|---------------|-------------------------|---------------|---------------|---------------|
| | 176.6 ft boom length | | | | 187.4 ft boom length | | | | 198 ft boom length | | | | 205.1 ft boom length | | | |
| | 0° offset | 15° offset | 30° offset | 50° offset | 0° offset | 15° offset | 30° offset | 50° offset | 0° offset | 15° offset | 30° offset | 50° offset | 0° offset | 15° offset | 30° offset | 50° offset |
| 50 | 12,600 | | | | 11,600 | | | | 10,200 | | | | | | | |
| 55 | 12,600 | | | | 11,600 | | | | 10,200 | | | | 9,530 | | | |
| 60 | 12,600 | | | | 11,600 | | | | 10,200 | | | | 9,530 | | | |
| 65 | 12,600 | 13,400 | | | 11,600 | 12,200 | | | 10,200 | | | | 9,530 | | | |
| 70 | 12,600 | 13,400 | | | 11,600 | 12,200 | | | 10,200 | | | | 9,530 | | | |
| 75 | 12,600 | 13,400 | | | 11,600 | 12,200 | | | 10,200 | 10,750 | | | 9,530 | 9,990 | | |
| 80 | 12,600 | 13,400 | 12,250 | | 11,600 | 12,200 | | | 10,200 | 10,750 | | | 9,530 | 9,990 | | |
| 85 | 12,600 | 13,200 | 12,100 | 10,850 | 11,600 | 12,200 | 12,050 | | 10,200 | 10,750 | | | 9,530 | 9,990 | | |
| 90 | 12,600 | 13,050 | 11,950 | 10,750 | 11,600 | 12,200 | 11,900 | | 10,200 | 10,750 | 11,550 | | 9,530 | 9,990 | 10,650 | |
| 95 | 12,600 | 12,900 | 11,850 | 10,650 | 11,600 | 12,200 | 11,800 | 10,700 | 10,200 | 10,750 | 11,550 | 10,650 | 9,530 | 9,990 | 10,650 | |
| 100 | 12,600 | 12,700 | 11,750 | 10,600 | 11,600 | 12,200 | 11,700 | 10,600 | 10,200 | 10,750 | 11,500 | 10,600 | 9,530 | 9,990 | 10,650 | 10,600 |
| 105 | 12,600 | 12,550 | 11,600 | 10,550 | 11,600 | 12,200 | 11,600 | 10,550 | 10,200 | 10,750 | 11,400 | 10,550 | 9,530 | 9,990 | 10,650 | 10,550 |
| 110 | 12,600 | 12,400 | 11,400 | 10,500 | 11,600 | 12,200 | 11,500 | 10,500 | 10,200 | 10,750 | 11,350 | 10,500 | 9,530 | 9,990 | 10,650 | 10,500 |
| 115 | 12,600 | 12,250 | 11,250 | 10,450 | 11,600 | 12,200 | 11,350 | 10,450 | 10,200 | 10,750 | 11,250 | 10,450 | 9,530 | 9,990 | 10,650 | 10,450 |
| 120 | 12,450 | 12,050 | 11,150 | 10,400 | 11,600 | 12,050 | 11,200 | 10,400 | 10,200 | 10,550 | 10,700 | 10,400 | 9,530 | 9,990 | 10,650 | 10,400 |
| 125 | 11,900 | 11,600 | 11,000 | 10,400 | 11,600 | 11,900 | 11,050 | 10,400 | 10,000 | 10,000 | 10,200 | 10,350 | 9,530 | 9,990 | 10,350 | 10,350 |
| 130 | 11,350 | 11,150 | 10,900 | 10,350 | 11,600 | 11,450 | 10,950 | 10,350 | 9,490 | 9,540 | 9,710 | 10,200 | 9,530 | 9,720 | 9,870 | 10,350 |
| 135 | 10,800 | 10,750 | 10,650 | 10,350 | 11,000 | 11,050 | 10,850 | 10,350 | 9,010 | 9,070 | 9,250 | 9,720 | 9,230 | 9,260 | 9,420 | 9,890 |
| 140 | 10,300 | 10,350 | 10,300 | 10,350 | 10,100 | 10,700 | 10,550 | 10,350 | 8,560 | 8,630 | 8,810 | 9,250 | 8,780 | 8,820 | 8,990 | 9,430 |
| 145 | 9,880 | 9,940 | 9,990 | 10,250 | 9,260 | 10,050 | 10,250 | 10,350 | 8,130 | 8,220 | 8,400 | 8,810 | 8,350 | 8,410 | 8,570 | 9,000 |
| 150 | 9,180 | 9,510 | 9,660 | 9,930 | 8,470 | 9,240 | 9,860 | 10,200 | 7,730 | 7,820 | 8,000 | 8,390 | 7,950 | 8,020 | 8,180 | 8,580 |
| 155 | 8,450 | 9,100 | 9,280 | 9,630 | 7,750 | 8,470 | 9,040 | 9,430 | 7,340 | 7,450 | 7,620 | 7,990 | 7,510 | 7,650 | 7,810 | 8,180 |
| 160 | 7,770 | 8,380 | 8,840 | 9,100 | 7,070 | 7,750 | 8,270 | 8,610 | 6,980 | 7,090 | 7,260 | 7,600 | 6,830 | 7,290 | 7,450 | 7,810 |
| 165 | 7,140 | 7,700 | 8,120 | 8,320 | 6,440 | 7,080 | 7,550 | 7,840 | 6,500 | 6,750 | 6,920 | 7,240 | 6,200 | 6,890 | 7,110 | 7,440 |
| 170 | 6,540 | 7,070 | 7,440 | 7,590 | 5,850 | 6,450 | 6,880 | 7,110 | 5,910 | 6,430 | 6,590 | 6,880 | 5,610 | 6,260 | 6,760 | 7,080 |
| 175 | 5,990 | 6,480 | 6,810 | | 5,300 | 5,850 | 6,250 | 6,420 | 5,360 | 5,940 | 6,280 | 6,550 | 5,060 | 5,670 | 6,130 | 6,410 |
| 180 | 5,470 | 5,920 | 6,210 | | 4,780 | 5,290 | 5,650 | | 4,840 | 5,380 | 5,780 | 5,960 | 4,540 | 5,120 | 5,540 | 5,770 |
| 185 | 4,990 | 5,390 | 5,640 | | 4,300 | 4,770 | 5,090 | | 4,350 | 4,860 | 5,210 | 5,350 | 4,050 | 4,590 | 4,980 | 5,160 |
| 190 | 4,530 | 4,890 | 5,100 | | 3,840 | 4,270 | 4,550 | | 3,890 | 4,360 | 4,680 | | 3,600 | 4,100 | 4,450 | 4,590 |
| 195 | 4,100 | 4,420 | 4,590 | | 3,410 | 3,800 | 4,040 | | 3,460 | 3,890 | 4,180 | | 3,160 | 3,630 | 3,950 | |
| 200 | 3,690 | 3,980 | 4,100 | | 3,000 | 3,360 | 3,560 | | 3,050 | 3,450 | 3,700 | | 2,750 | 3,190 | 3,470 | |
| 205 | 3,310 | 3,550 | 3,640 | | 2,620 | 2,940 | 3,100 | | 2,670 | 3,030 | 3,250 | | 2,370 | 2,770 | 3,020 | |
| 210 | 2,950 | 3,150 | | | 2,260 | 2,540 | 2,660 | | 2,300 | 2,630 | 2,810 | | 2,000 | 2,370 | 2,590 | |
| 215 | 2,620 | 2,770 | | | 1,920 | 2,160 | 2,230 | | 1,960 | 2,250 | 2,400 | | 1,660 | 1,990 | 2,180 | |
| 220 | 2,310 | 2,400 | | | 1,600 | 1,790 | | | 1,630 | 1,890 | 2,000 | | 1,330 | 1,630 | 1,780 | |
| 225 | | | | | 1,290 | 1,450 | | | 1,320 | 1,550 | 1,620 | | 1,020 | 1,290 | 1,400 | |
| 230 | | | | | 1,010 | 1,110 | | | 1,030 | 1,220 | | | | | 1,040 | |

THIS CHART IS ONLY A GUIDE AND SHOULD NOT BE USED TO OPERATE THE CRANE.
 The individual crane's load chart, operating instructions and other instructional plates must be read and understood prior to operating the crane

Load chart

Hydraulic bi-fold extension



44.9 ft – 205.1 ft



37 ft



56,800 lb



100%



360°



Pounds

| Radius in feet | 37 ft boom extension | | | | | | | | | | | | | | | |
|-------------------|----------------------|-----------------|------------------|------------------|----------------------|-----------------|------------------|------------------|--------------------|-----------------|------------------|------------------|----------------------|-----------------|------------------|------------------|
| | 176.6 ft boom length | | | | 187.4 ft boom length | | | | 198 ft boom length | | | | 205.1 ft boom length | | | |
| | 0° offset | 0° - 15° offset | 15° - 30° offset | 30° - 50° offset | 0° offset | 0° - 15° offset | 15° - 30° offset | 30° - 50° offset | 0° offset | 0° - 15° offset | 15° - 30° offset | 30° - 50° offset | 0° offset | 0° - 15° offset | 15° - 30° offset | 30° - 50° offset |
| 45 | 19,600 | | | | 17,550 | | | | | | | | | | | |
| 50 | 19,600 | | | | 17,550 | | | | 15,000 | | | | 13,750 | | | |
| 55 | 19,600 | 19,600 | | | 17,550 | 17,550 | | | 15,000 | | | | 13,750 | | | |
| 60 | 19,600 | 19,600 | 19,950 | | 17,550 | 17,550 | | | 15,000 | 15,000 | | | 13,750 | 13,750 | | |
| 65 | 19,600 | 19,600 | 19,950 | 20,050 | 17,550 | 17,550 | 17,650 | | 15,000 | 15,000 | | | 13,750 | 13,750 | | |
| 70 | 19,600 | 19,600 | 19,950 | 20,050 | 17,550 | 17,550 | 17,650 | 17,800 | 15,000 | 15,000 | 15,050 | | 13,750 | 13,750 | 13,700 | |
| 75 | 19,600 | 19,600 | 19,950 | 20,050 | 17,550 | 17,550 | 17,650 | 17,800 | 15,000 | 15,000 | 15,050 | 15,050 | 13,750 | 13,750 | 13,700 | 13,700 |
| 80 | 19,600 | 19,600 | 19,550 | 19,500 | 17,550 | 17,550 | 17,650 | 17,800 | 15,000 | 15,000 | 15,050 | 15,050 | 13,750 | 13,750 | 13,700 | 13,700 |
| 85 | 19,600 | 19,300 | 18,750 | 18,700 | 17,550 | 17,550 | 17,650 | 17,800 | 15,000 | 15,000 | 15,050 | 15,050 | 13,750 | 13,750 | 13,700 | 13,700 |
| 90 | 18,700 | 18,400 | 17,950 | 17,950 | 17,550 | 17,550 | 17,650 | 17,800 | 15,000 | 15,000 | 15,050 | 15,050 | 13,750 | 13,750 | 13,700 | 13,700 |
| 95 | 17,750 | 17,450 | 17,200 | 17,200 | 17,550 | 17,550 | 17,550 | 17,550 | 15,000 | 14,950 | 14,950 | 14,950 | 13,750 | 13,750 | 13,700 | 13,700 |
| 100 | 16,800 | 16,600 | 16,500 | 16,500 | 17,350 | 17,100 | 16,850 | 16,850 | 14,350 | 14,150 | 14,150 | 14,150 | 13,750 | 13,750 | 13,700 | 13,700 |
| 105 | 15,950 | 15,750 | 15,750 | 15,750 | 16,500 | 16,300 | 16,200 | 16,200 | 13,550 | 13,400 | 13,400 | 13,400 | 13,750 | 13,650 | 13,650 | 13,650 |
| 110 | 15,150 | 15,000 | 15,000 | 15,000 | 15,700 | 15,500 | 15,500 | 15,500 | 12,800 | 12,700 | 12,700 | 12,750 | 13,100 | 12,950 | 12,950 | 12,950 |
| 115 | 14,400 | 14,300 | 14,300 | 14,300 | 14,850 | 14,800 | 14,800 | 14,800 | 12,100 | 12,050 | 12,050 | 12,100 | 12,400 | 12,300 | 12,300 | 12,350 |
| 120 | 13,700 | 13,600 | 13,600 | 13,650 | 13,550 | 13,550 | 14,150 | 14,150 | 11,500 | 11,450 | 11,450 | 11,500 | 11,750 | 11,700 | 11,700 | 11,750 |
| 125 | 12,900 | 12,900 | 13,000 | 13,050 | 12,350 | 12,350 | 12,950 | 13,400 | 10,900 | 10,850 | 10,850 | 10,900 | 11,200 | 11,100 | 11,100 | 11,150 |
| 130 | 12,000 | 12,000 | 12,400 | 12,450 | 11,300 | 11,300 | 11,850 | 12,250 | 10,350 | 10,300 | 10,300 | 10,400 | 10,600 | 10,600 | 10,600 | 10,650 |
| 135 | 11,000 | 11,000 | 11,500 | 11,800 | 10,300 | 10,300 | 10,800 | 11,200 | 9,830 | 9,830 | 9,830 | 9,900 | 10,100 | 10,050 | 10,050 | 10,150 |
| 140 | 10,100 | 10,100 | 10,550 | 10,850 | 9,420 | 9,420 | 9,890 | 10,200 | 9,330 | 9,330 | 9,350 | 9,420 | 9,250 | 9,250 | 9,620 | 9,680 |
| 145 | 9,290 | 9,290 | 9,680 | 9,950 | 8,580 | 8,580 | 9,020 | 9,330 | 8,710 | 8,710 | 8,890 | 8,970 | 8,420 | 8,420 | 8,890 | 9,230 |
| 150 | 8,510 | 8,510 | 8,870 | | 7,810 | 7,810 | 8,210 | 8,490 | 7,940 | 7,940 | 8,360 | 8,540 | 7,640 | 7,640 | 8,090 | 8,410 |
| 155 | 7,790 | 7,790 | 8,120 | | 7,090 | 7,090 | 7,460 | 7,710 | 7,220 | 7,220 | 7,610 | 7,880 | 6,930 | 6,930 | 7,340 | 7,630 |
| 160 | 7,120 | 7,120 | 7,420 | | 6,420 | 6,420 | 6,760 | | 6,550 | 6,550 | 6,910 | 7,160 | 6,260 | 6,260 | 6,640 | 6,910 |
| 165 | 6,500 | 6,500 | 6,760 | | 5,800 | 5,800 | 6,110 | | 5,920 | 5,920 | 6,260 | | 5,630 | 5,630 | 5,990 | 6,230 |
| 170 | 5,920 | 5,920 | 6,150 | | 5,210 | 5,210 | 5,500 | | 5,340 | 5,340 | 5,650 | | 5,050 | 5,050 | 5,380 | 5,600 |
| 175 | 5,370 | 5,370 | 5,580 | | 4,670 | 4,670 | 4,930 | | 4,790 | 4,790 | 5,080 | | 4,500 | 4,500 | 4,810 | |
| 180 | 4,860 | 4,860 | 5,040 | | 4,160 | 4,160 | 4,390 | | 4,280 | 4,280 | 4,540 | | 3,990 | 3,990 | 4,270 | |
| 185 | 4,390 | 4,390 | 4,530 | | 3,680 | 3,680 | 3,880 | | 3,800 | 3,800 | 4,030 | | 3,510 | 3,510 | 3,770 | |
| 190 | 3,940 | 3,940 | | | 3,230 | 3,230 | 3,410 | | 3,350 | 3,350 | 3,560 | | 3,060 | 3,060 | 3,290 | |
| 195 | 3,530 | 3,530 | | | 2,810 | 2,810 | 2,960 | | 2,920 | 2,920 | 3,110 | | 2,630 | 2,630 | 2,840 | |
| 200 | 2,860 | 2,860 | | | 2,420 | 2,420 | | | 2,520 | 2,520 | 2,680 | | 2,230 | 2,230 | 2,420 | |
| 205 | | | | | 2,050 | 2,050 | | | 2,150 | 2,150 | 2,280 | | 1,850 | 1,850 | 2,010 | |
| 210 | | | | | 1,690 | 1,690 | | | 1,790 | 1,790 | | | 1,490 | 1,490 | 1,630 | |
| 215 | | | | | | | | | 1,460 | 1,460 | | | 1,160 | 1,160 | | |
| 220 | | | | | | | | | 1,160 | 1,160 | | | | | | |

THIS CHART IS ONLY A GUIDE AND SHOULD NOT BE USED TO OPERATE THE CRANE.

The individual crane's load chart, operating instructions and other instructional plates must be read and understood prior to operating the crane

Load chart

Hydraulic bi-fold extension



44.9 ft – 205.1 ft



59 ft



56,800 lb



100%



360°



Pounds

| Radius in feet | 59 ft boom extension | | | | | | | | | | | | | | | |
|----------------|----------------------|-----------------|------------------|------------------|----------------------|-----------------|------------------|------------------|--------------------|-----------------|------------------|------------------|----------------------|-----------------|------------------|------------------|
| | 176.6 ft boom length | | | | 187.4 ft boom length | | | | 198 ft boom length | | | | 205.1 ft boom length | | | |
| | 0° offset | 0° - 15° offset | 15° - 30° offset | 30° - 50° offset | 0° offset | 0° - 15° offset | 15° - 30° offset | 30° - 50° offset | 0° offset | 0° - 15° offset | 15° - 30° offset | 30° - 50° offset | 0° offset | 0° - 15° offset | 15° - 30° offset | 30° - 50° offset |
| 50 | 12,600 | | | | 11,600 | | | | 10,200 | | | | | | | |
| 55 | 12,600 | | | | 11,600 | | | | 10,200 | | | | 9,530 | | | |
| 60 | 12,600 | | | | 11,600 | | | | 10,200 | | | | 9,530 | | | |
| 65 | 12,600 | 12,600 | | | 11,600 | 11,600 | | | 10,200 | | | | 9,530 | | | |
| 70 | 12,600 | 12,600 | | | 11,600 | 11,600 | | | 10,200 | | | | 9,530 | | | |
| 75 | 12,600 | 12,600 | | | 11,600 | 11,600 | | | 10,200 | 10,200 | | | 9,530 | 9,530 | | |
| 80 | 12,600 | 12,600 | 12,250 | | 11,600 | 11,600 | | | 10,200 | 10,200 | | | 9,530 | 9,530 | | |
| 85 | 12,600 | 12,600 | 12,100 | 10,850 | 11,600 | 11,600 | 12,050 | | 10,200 | 10,200 | | | 9,530 | 9,530 | | |
| 90 | 12,600 | 12,600 | 11,950 | 10,750 | 11,600 | 11,600 | 11,900 | | 10,200 | 10,200 | 10,750 | | 9,530 | 9,530 | 9,990 | |
| 95 | 12,600 | 12,600 | 11,850 | 10,650 | 11,600 | 11,600 | 11,800 | 10,700 | 10,200 | 10,200 | 10,750 | 10,650 | 9,530 | 9,530 | 9,990 | |
| 100 | 12,600 | 12,600 | 11,750 | 10,600 | 11,600 | 11,600 | 11,700 | 10,600 | 10,200 | 10,200 | 10,750 | 10,600 | 9,530 | 9,530 | 9,990 | 10,600 |
| 105 | 12,600 | 12,550 | 11,600 | 10,550 | 11,600 | 11,600 | 11,600 | 10,550 | 10,200 | 10,200 | 10,750 | 10,550 | 9,530 | 9,530 | 9,990 | 10,550 |
| 110 | 12,600 | 12,400 | 11,400 | 10,500 | 11,600 | 11,600 | 11,500 | 10,500 | 10,200 | 10,200 | 10,750 | 10,500 | 9,530 | 9,530 | 9,990 | 10,500 |
| 115 | 12,600 | 12,250 | 11,250 | 10,450 | 11,600 | 11,600 | 11,350 | 10,450 | 10,200 | 10,200 | 10,750 | 10,450 | 9,530 | 9,530 | 9,990 | 10,450 |
| 120 | 12,450 | 12,050 | 11,150 | 10,400 | 11,600 | 11,600 | 11,200 | 10,400 | 10,200 | 10,200 | 10,550 | 10,400 | 9,530 | 9,530 | 9,990 | 10,400 |
| 125 | 11,900 | 11,600 | 11,000 | 10,400 | 11,600 | 11,600 | 11,050 | 10,400 | 10,000 | 10,000 | 10,000 | 10,200 | 9,530 | 9,530 | 9,990 | 10,350 |
| 130 | 11,350 | 11,150 | 10,900 | 10,350 | 11,600 | 11,450 | 10,950 | 10,350 | 9,490 | 9,490 | 9,540 | 9,710 | 9,530 | 9,530 | 9,720 | 9,870 |
| 135 | 10,800 | 10,750 | 10,650 | 10,350 | 11,000 | 11,000 | 10,850 | 10,350 | 9,010 | 9,010 | 9,070 | 9,250 | 9,230 | 9,230 | 9,260 | 9,420 |
| 140 | 10,300 | 10,300 | 10,300 | 10,300 | 10,100 | 10,100 | 10,550 | 10,350 | 8,560 | 8,560 | 8,630 | 8,810 | 8,780 | 8,780 | 8,820 | 8,990 |
| 145 | 9,880 | 9,880 | 9,940 | 9,990 | 9,260 | 9,260 | 10,050 | 10,250 | 8,130 | 8,130 | 8,220 | 8,400 | 8,350 | 8,350 | 8,410 | 8,570 |
| 150 | 9,180 | 9,180 | 9,510 | 9,660 | 8,470 | 8,470 | 9,240 | 9,860 | 7,730 | 7,730 | 7,820 | 8,000 | 7,950 | 7,950 | 8,020 | 8,180 |
| 155 | 8,450 | 8,450 | 9,100 | 9,280 | 7,750 | 7,750 | 8,470 | 9,040 | 7,340 | 7,340 | 7,450 | 7,620 | 7,510 | 7,510 | 7,650 | 7,810 |
| 160 | 7,770 | 7,770 | 8,380 | 8,840 | 7,070 | 7,070 | 7,750 | 8,270 | 6,980 | 6,980 | 7,090 | 7,260 | 6,830 | 6,830 | 7,290 | 7,450 |
| 165 | 7,140 | 7,140 | 7,700 | 8,120 | 6,440 | 6,440 | 7,080 | 7,550 | 6,500 | 6,500 | 6,750 | 6,920 | 6,200 | 6,200 | 6,890 | 7,110 |
| 170 | 6,540 | 6,540 | 7,070 | 7,440 | 5,850 | 5,850 | 6,450 | 6,880 | 5,910 | 5,910 | 6,430 | 6,590 | 5,610 | 5,610 | 6,260 | 6,760 |
| 175 | 5,990 | 5,990 | 6,480 | | 5,300 | 5,300 | 5,850 | 6,250 | 5,360 | 5,360 | 5,940 | 6,280 | 5,060 | 5,060 | 5,670 | 6,130 |
| 180 | 5,470 | 5,470 | 5,920 | | 4,780 | 4,780 | 5,290 | | 4,840 | 4,840 | 5,380 | 5,780 | 4,540 | 4,540 | 5,120 | 5,540 |
| 185 | 4,990 | 4,990 | 5,390 | | 4,300 | 4,300 | 4,770 | | 4,350 | 4,350 | 4,860 | 5,210 | 4,050 | 4,050 | 4,590 | 4,980 |
| 190 | 4,530 | 4,530 | 4,890 | | 3,840 | 3,840 | 4,270 | | 3,890 | 3,890 | 4,360 | | 3,600 | 3,600 | 4,100 | 4,450 |
| 195 | 4,100 | 4,100 | 4,420 | | 3,410 | 3,410 | 3,800 | | 3,460 | 3,460 | 3,890 | | 3,160 | 3,160 | 3,630 | |
| 200 | 3,690 | 3,690 | 3,980 | | 3,000 | 3,000 | 3,360 | | 3,050 | 3,050 | 3,450 | | 2,750 | 2,750 | 3,190 | |
| 205 | 3,310 | 3,310 | 3,550 | | 2,620 | 2,620 | 2,940 | | 2,670 | 2,670 | 3,030 | | 2,370 | 2,370 | 2,770 | |
| 210 | 2,950 | 2,950 | | | 2,260 | 2,260 | 2,540 | | 2,300 | 2,300 | 2,630 | | 2,000 | 2,000 | 2,370 | |
| 215 | 2,620 | 2,620 | | | 1,920 | 1,920 | 2,160 | | 1,960 | 1,960 | 2,250 | | 1,660 | 1,660 | 1,990 | |
| 220 | 2,310 | 2,310 | | | 1,600 | 1,600 | | | 1,630 | 1,630 | 1,890 | | 1,330 | 1,330 | 1,630 | |
| 225 | | | | | 1,290 | 1,290 | | | 1,320 | 1,320 | 1,550 | | 1,020 | 1,020 | 1,290 | |
| 230 | | | | | 1,010 | 1,010 | | | 1,030 | 1,030 | | | | | | |

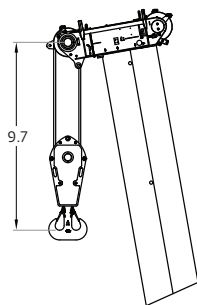
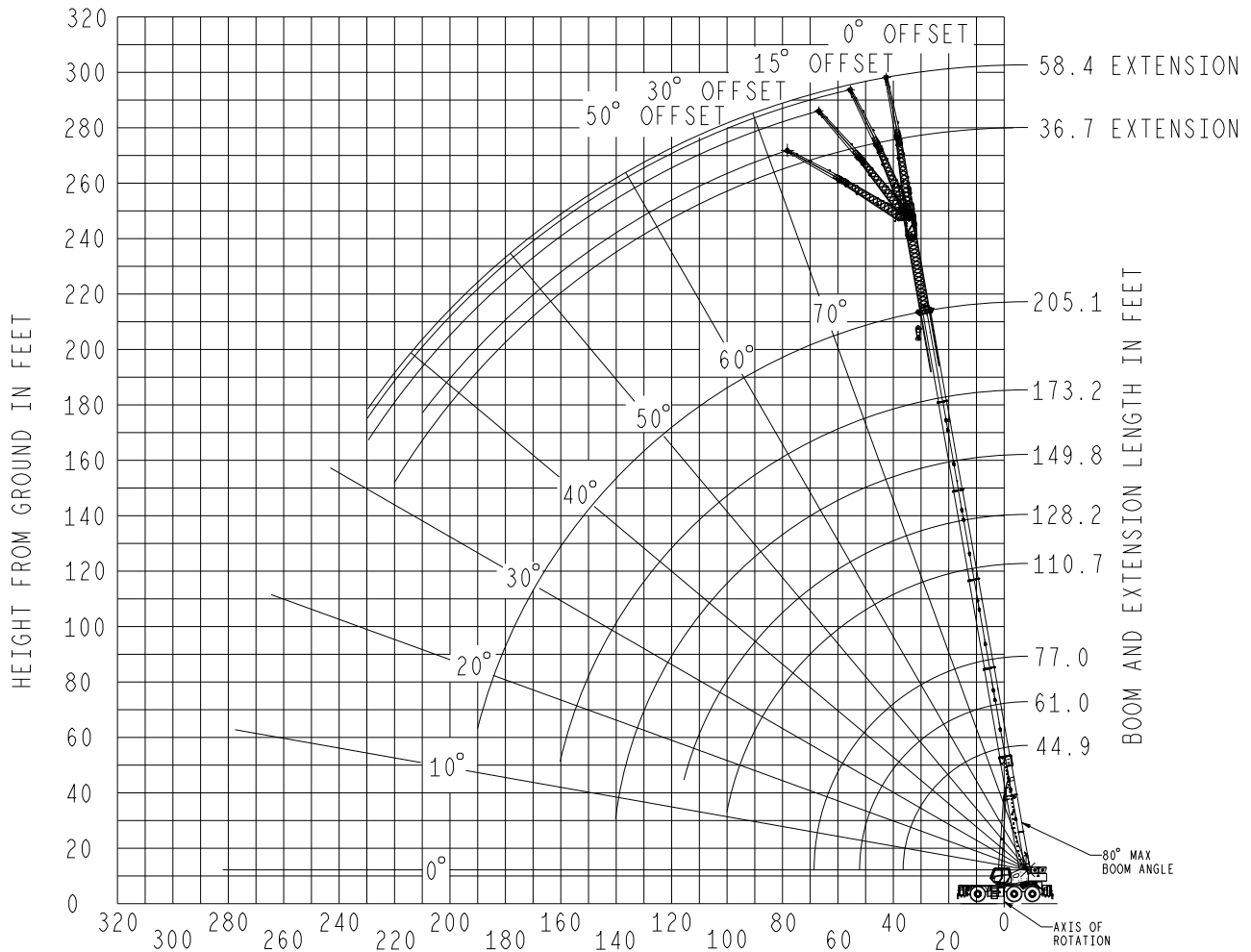
THIS CHART IS ONLY A GUIDE AND SHOULD NOT BE USED TO OPERATE THE CRANE.

The individual crane's load chart, operating instructions and other instructional plates must be read and understood prior to operating the crane

Working range

Working range diagram with bi-fold extension and insert

(Boom deflection not shown)



Operating radius in feet from axis of rotation

Dimensions are for the largest Grove furnished hook block, with anti-two block activated.

*THIS CHART IS ONLY A GUIDE AND SHOULD NOT BE USED TO OPERATE THE CRANE.
The individual crane's load chart, operating instructions and other instructional plates must be read and understood prior to operating the crane*

Load chart

Insert and manual bi-fold extension



44.9 ft – 205.1 ft



85 ft



26 ft



56,800 lb



100%



360°



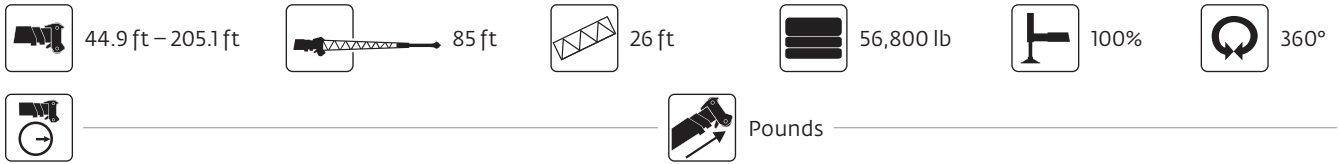
Pounds

| Radius in feet | 85 ft boom extension | | | | | | | | | | | | | | | |
|----------------|----------------------|------------|------------|------------|----------------------|------------|------------|------------|--------------------|------------|------------|------------|----------------------|------------|------------|------------|
| | 176.6 ft boom length | | | | 187.4 ft boom length | | | | 198 ft boom length | | | | 205.1 ft boom length | | | |
| | 0° offset | 15° offset | 30° offset | 50° offset | 0° offset | 15° offset | 30° offset | 50° offset | 0° offset | 15° offset | 30° offset | 50° offset | 0° offset | 15° offset | 30° offset | 50° offset |
| 50 | 8,810 | | | | | | | | | | | | | | | |
| 55 | 8,810 | | | | 8,060 | | | | | | | | | | | |
| 60 | 8,810 | | | | 8,060 | | | | 7,010 | | | | 6,500 | | | |
| 65 | 8,810 | | | | 8,060 | | | | 7,010 | | | | 6,500 | | | |
| 70 | 8,810 | | | | 8,060 | | | | 7,010 | | | | 6,500 | | | |
| 75 | 8,810 | 8,800 | | | 8,060 | 8,050 | | | 7,010 | | | | 6,500 | | | |
| 80 | 8,810 | 8,800 | | | 8,060 | 8,050 | | | 7,010 | 7,000 | | | 6,500 | 6,740 | | |
| 85 | 8,810 | 8,800 | 8,840 | | 8,060 | 8,050 | | | 7,010 | 7,000 | | | 6,500 | 6,740 | | |
| 90 | 8,810 | 8,800 | 8,840 | | 8,060 | 8,050 | 8,080 | | 7,010 | 7,000 | | | 6,500 | 6,740 | | |
| 95 | 8,810 | 8,800 | 8,840 | | 8,060 | 8,050 | 8,080 | | 7,010 | 7,000 | 7,040 | | 6,500 | 6,740 | 7,040 | |
| 100 | 8,810 | 8,800 | 8,840 | 8,840 | 8,060 | 8,050 | 8,080 | 8,080 | 7,010 | 7,000 | 7,040 | | 6,500 | 6,740 | 7,040 | |
| 105 | 8,810 | 8,800 | 8,840 | 8,840 | 8,060 | 8,050 | 8,080 | 8,080 | 7,010 | 7,000 | 7,040 | 7,040 | 6,500 | 6,740 | 7,040 | |
| 110 | 8,810 | 8,800 | 8,840 | 8,840 | 8,060 | 8,050 | 8,080 | 8,080 | 7,010 | 7,000 | 7,040 | 7,040 | 6,500 | 6,740 | 7,040 | 6,530 |
| 115 | 8,810 | 8,800 | 8,840 | 8,840 | 8,060 | 8,050 | 8,080 | 8,080 | 7,010 | 7,000 | 7,040 | 7,040 | 6,500 | 6,740 | 7,040 | 6,530 |
| 120 | 8,810 | 8,800 | 8,840 | 8,840 | 8,060 | 8,050 | 8,080 | 8,080 | 7,010 | 7,000 | 7,040 | 7,040 | 6,500 | 6,740 | 7,040 | 6,530 |
| 125 | 8,810 | 8,800 | 8,840 | 8,840 | 8,060 | 8,050 | 8,080 | 8,080 | 7,010 | 7,000 | 7,040 | 7,040 | 6,500 | 6,740 | 7,040 | 6,530 |
| 130 | 8,810 | 8,800 | 8,840 | 8,840 | 8,060 | 8,050 | 8,080 | 8,080 | 7,010 | 7,000 | 7,040 | 7,040 | 6,500 | 6,740 | 7,040 | 6,530 |
| 135 | 8,810 | 8,800 | 8,640 | 8,740 | 8,060 | 8,050 | 8,080 | 8,080 | 7,010 | 7,000 | 7,040 | 7,040 | 6,500 | 6,740 | 7,040 | 6,530 |
| 140 | 8,560 | 8,470 | 8,370 | 8,490 | 8,060 | 8,050 | 8,080 | 8,080 | 7,010 | 7,000 | 7,040 | 7,040 | 6,500 | 6,740 | 7,040 | 6,530 |
| 145 | 8,200 | 8,130 | 8,110 | 8,250 | 8,060 | 8,050 | 8,080 | 8,080 | 6,810 | 7,000 | 7,040 | 7,040 | 6,500 | 6,740 | 7,040 | 6,530 |
| 150 | 7,870 | 7,810 | 7,870 | 8,030 | 8,060 | 8,040 | 8,040 | 8,080 | 6,440 | 6,640 | 6,920 | 7,040 | 6,500 | 6,740 | 7,040 | 6,530 |
| 155 | 7,550 | 7,510 | 7,590 | 7,810 | 7,810 | 7,740 | 7,810 | 7,960 | 6,080 | 6,290 | 6,550 | 7,040 | 6,250 | 6,440 | 6,690 | 6,530 |
| 160 | 7,240 | 7,220 | 7,310 | 7,600 | 7,130 | 7,460 | 7,530 | 7,760 | 5,740 | 5,950 | 6,200 | 6,650 | 5,910 | 6,100 | 6,350 | 6,530 |
| 165 | 6,910 | 6,940 | 7,040 | 7,350 | 6,500 | 7,180 | 7,260 | 7,570 | 5,420 | 5,620 | 5,870 | 6,290 | 5,590 | 5,780 | 6,020 | 6,450 |
| 170 | 6,580 | 6,680 | 6,770 | 7,080 | 5,900 | 6,560 | 7,000 | 7,310 | 5,110 | 5,310 | 5,550 | 5,930 | 5,280 | 5,470 | 5,700 | 6,100 |
| 175 | 6,020 | 6,420 | 6,520 | 6,810 | 5,350 | 5,970 | 6,440 | 6,760 | 4,820 | 5,020 | 5,240 | 5,600 | 4,990 | 5,180 | 5,400 | 5,770 |
| 180 | 5,490 | 6,030 | 6,280 | 6,560 | 4,820 | 5,410 | 5,850 | 6,120 | 4,540 | 4,740 | 4,950 | 5,280 | 4,520 | 4,900 | 5,110 | 5,450 |
| 185 | 5,000 | 5,500 | 5,860 | 6,020 | 4,330 | 4,880 | 5,290 | 5,510 | 4,270 | 4,470 | 4,670 | 4,970 | 4,030 | 4,630 | 4,830 | 5,150 |
| 190 | 4,530 | 5,000 | 5,320 | 5,440 | 3,860 | 4,390 | 4,760 | 4,940 | 3,870 | 4,210 | 4,400 | 4,670 | 3,570 | 4,140 | 4,570 | 4,830 |
| 195 | 4,100 | 4,530 | 4,820 | | 3,430 | 3,910 | 4,260 | 4,400 | 3,430 | 3,940 | 4,140 | 4,380 | 3,130 | 3,670 | 4,070 | 4,290 |
| 200 | 3,680 | 4,080 | 4,340 | | 3,010 | 3,470 | 3,780 | 3,880 | 3,010 | 3,500 | 3,840 | 3,990 | 2,720 | 3,230 | 3,600 | 3,780 |
| 205 | 3,290 | 3,660 | 3,890 | | 2,620 | 3,050 | 3,330 | | 2,620 | 3,080 | 3,390 | 3,500 | 2,330 | 2,810 | 3,150 | 3,300 |
| 210 | 2,920 | 3,260 | 3,450 | | 2,250 | 2,650 | 2,900 | | 2,250 | 2,680 | 2,960 | | 1,950 | 2,410 | 2,720 | 2,830 |
| 215 | 2,570 | 2,880 | 3,040 | | 1,900 | 2,270 | 2,490 | | 1,900 | 2,300 | 2,550 | | 1,600 | 2,030 | 2,310 | |
| 220 | 2,240 | 2,510 | 2,640 | | 1,570 | 1,900 | 2,090 | | 1,570 | 1,930 | 2,160 | | 1,270 | 1,670 | 1,920 | |
| 225 | 1,930 | 2,170 | 2,260 | | 1,260 | 1,560 | 1,720 | | 1,250 | 1,590 | 1,790 | | | 1,320 | 1,550 | |
| 230 | 1,630 | 1,840 | 1,900 | | | 1,230 | 1,360 | | | 1,260 | 1,430 | | | | 1,200 | |
| 235 | 1,350 | 1,520 | | | | | 1,010 | | | | 1,090 | | | | | |
| 240 | 1,090 | 1,220 | | | | | | | | | | | | | | |

THIS CHART IS ONLY A GUIDE AND SHOULD NOT BE USED TO OPERATE THE CRANE.
The individual crane's load chart, operating instructions and other instructional plates must be read and understood prior to operating the crane

Load chart

Insert and hydraulic bi-fold extension



| Radius in feet | 85 ft boom extension | | | | | | | | | | | | | | | |
|-------------------|----------------------|-----------------|------------------|------------------|----------------------|-----------------|------------------|------------------|--------------------|-----------------|------------------|------------------|----------------------|-----------------|------------------|------------------|
| | 176.6 ft boom length | | | | 187.4 ft boom length | | | | 198 ft boom length | | | | 205.1 ft boom length | | | |
| | 0° offset | 0° - 15° offset | 15° - 30° offset | 30° - 50° offset | 0° offset | 0° - 15° offset | 15° - 30° offset | 30° - 50° offset | 0° offset | 0° - 15° offset | 15° - 30° offset | 30° - 50° offset | 0° offset | 0° - 15° offset | 15° - 30° offset | 30° - 50° offset |
| 50 | 8,810 | | | | | | | | | | | | | | | |
| 55 | 8,810 | | | | 8,060 | | | | | | | | | | | |
| 60 | 8,810 | | | | 8,060 | | | | 7,010 | | | | 6,500 | | | |
| 65 | 8,810 | | | | 8,060 | | | | 7,010 | | | | 6,500 | | | |
| 70 | 8,810 | | | | 8,060 | | | | 7,010 | | | | 6,500 | | | |
| 75 | 8,810 | 8,800 | | | 8,060 | 8,050 | | | 7,010 | | | | 6,500 | | | |
| 80 | 8,810 | 8,800 | | | 8,060 | 8,050 | | | 7,010 | 7,000 | | | 6,500 | 6,500 | | |
| 85 | 8,810 | 8,800 | 8,800 | | 8,060 | 8,050 | | | 7,010 | 7,000 | | | 6,500 | 6,500 | | |
| 90 | 8,810 | 8,800 | 8,800 | | 8,060 | 8,050 | 8,050 | | 7,010 | 7,000 | | | 6,500 | 6,500 | | |
| 95 | 8,810 | 8,800 | 8,800 | | 8,060 | 8,050 | 8,050 | | 7,010 | 7,000 | 7,000 | | 6,500 | 6,500 | 6,740 | |
| 100 | 8,810 | 8,800 | 8,800 | 8,840 | 8,060 | 8,050 | 8,050 | 8,080 | 7,010 | 7,000 | 7,000 | | 6,500 | 6,500 | 6,740 | |
| 105 | 8,810 | 8,800 | 8,800 | 8,840 | 8,060 | 8,050 | 8,050 | 8,080 | 7,010 | 7,000 | 7,000 | 7,040 | 6,500 | 6,500 | 6,740 | |
| 110 | 8,810 | 8,800 | 8,800 | 8,840 | 8,060 | 8,050 | 8,050 | 8,080 | 7,010 | 7,000 | 7,000 | 7,040 | 6,500 | 6,500 | 6,740 | 6,530 |
| 115 | 8,810 | 8,800 | 8,800 | 8,840 | 8,060 | 8,050 | 8,050 | 8,080 | 7,010 | 7,000 | 7,000 | 7,040 | 6,500 | 6,500 | 6,740 | 6,530 |
| 120 | 8,810 | 8,800 | 8,800 | 8,840 | 8,060 | 8,050 | 8,050 | 8,080 | 7,010 | 7,000 | 7,000 | 7,040 | 6,500 | 6,500 | 6,740 | 6,530 |
| 125 | 8,810 | 8,800 | 8,800 | 8,840 | 8,060 | 8,050 | 8,050 | 8,080 | 7,010 | 7,000 | 7,000 | 7,040 | 6,500 | 6,500 | 6,740 | 6,530 |
| 130 | 8,810 | 8,800 | 8,800 | 8,840 | 8,060 | 8,050 | 8,050 | 8,080 | 7,010 | 7,000 | 7,000 | 7,040 | 6,500 | 6,500 | 6,740 | 6,530 |
| 135 | 8,810 | 8,800 | 8,640 | 8,640 | 8,060 | 8,050 | 8,050 | 8,080 | 7,010 | 7,000 | 7,000 | 7,040 | 6,500 | 6,500 | 6,740 | 6,530 |
| 140 | 8,560 | 8,470 | 8,370 | 8,370 | 8,060 | 8,050 | 8,050 | 8,080 | 7,010 | 7,000 | 7,000 | 7,040 | 6,500 | 6,500 | 6,740 | 6,530 |
| 145 | 8,200 | 8,130 | 8,110 | 8,110 | 8,060 | 8,050 | 8,050 | 8,080 | 6,810 | 6,810 | 7,000 | 7,040 | 6,500 | 6,500 | 6,740 | 6,530 |
| 150 | 7,870 | 7,810 | 7,810 | 7,870 | 8,060 | 8,040 | 8,040 | 8,040 | 6,440 | 6,440 | 6,640 | 6,920 | 6,500 | 6,500 | 6,740 | 6,530 |
| 155 | 7,550 | 7,510 | 7,510 | 7,590 | 7,810 | 7,740 | 7,740 | 7,810 | 6,080 | 6,080 | 6,290 | 6,550 | 6,250 | 6,250 | 6,440 | 6,530 |
| 160 | 7,240 | 7,220 | 7,220 | 7,310 | 7,130 | 7,130 | 7,460 | 7,530 | 5,740 | 5,740 | 5,950 | 6,200 | 5,910 | 5,910 | 6,100 | 6,350 |
| 165 | 6,910 | 6,910 | 6,940 | 7,040 | 6,500 | 6,500 | 7,180 | 7,260 | 5,420 | 5,420 | 5,620 | 5,870 | 5,590 | 5,590 | 5,780 | 6,020 |
| 170 | 6,580 | 6,580 | 6,680 | 6,770 | 5,900 | 5,900 | 6,560 | 7,000 | 5,110 | 5,110 | 5,310 | 5,550 | 5,280 | 5,280 | 5,470 | 5,700 |
| 175 | 6,020 | 6,020 | 6,420 | 6,520 | 5,350 | 5,350 | 5,970 | 6,440 | 4,820 | 4,820 | 5,020 | 5,240 | 4,990 | 4,990 | 5,180 | 5,400 |
| 180 | 5,490 | 5,490 | 6,030 | 6,280 | 4,820 | 4,820 | 5,410 | 5,850 | 4,540 | 4,540 | 4,740 | 4,950 | 4,520 | 4,520 | 4,900 | 5,110 |
| 185 | 5,000 | 5,000 | 5,500 | 5,860 | 4,330 | 4,330 | 4,880 | 5,290 | 4,270 | 4,270 | 4,470 | 4,670 | 4,030 | 4,030 | 4,630 | 4,830 |
| 190 | 4,530 | 4,530 | 5,000 | 5,320 | 3,860 | 3,860 | 4,390 | 4,760 | 3,870 | 3,870 | 4,210 | 4,400 | 3,570 | 3,570 | 4,140 | 4,570 |
| 195 | 4,100 | 4,100 | 4,530 | | 3,430 | 3,430 | 3,910 | 4,260 | 3,430 | 3,430 | 3,940 | 4,140 | 3,130 | 3,130 | 3,670 | 4,070 |
| 200 | 3,680 | 3,680 | 4,080 | | 3,010 | 3,010 | 3,470 | 3,780 | 3,010 | 3,010 | 3,500 | 3,840 | 2,720 | 2,720 | 3,230 | 3,600 |
| 205 | 3,290 | 3,290 | 3,660 | | 2,620 | 2,620 | 3,050 | | 2,620 | 2,620 | 3,080 | 3,390 | 2,330 | 2,330 | 2,810 | 3,150 |
| 210 | 2,920 | 2,920 | 3,260 | | 2,250 | 2,250 | 2,650 | | 2,250 | 2,250 | 2,680 | | 1,950 | 1,950 | 2,410 | 2,720 |
| 215 | 2,570 | 2,570 | 2,880 | | 1,900 | 1,900 | 2,270 | | 1,900 | 1,900 | 2,300 | | 1,600 | 1,600 | 2,030 | |
| 220 | 2,240 | 2,240 | 2,510 | | 1,570 | 1,570 | 1,900 | | 1,570 | 1,570 | 1,930 | | 1,270 | 1,270 | 1,670 | |
| 225 | 1,930 | 1,930 | 2,170 | | 1,260 | 1,260 | 1,560 | | 1,250 | 1,250 | 1,590 | | | | 1,320 | |
| 230 | 1,630 | 1,630 | 1,840 | | | | 1,230 | | | | 1,260 | | | | | |
| 235 | 1,350 | 1,350 | | | | | | | | | | | | | | |
| 240 | 1,090 | 1,090 | | | | | | | | | | | | | | |

THIS CHART IS ONLY A GUIDE AND SHOULD NOT BE USED TO OPERATE THE CRANE.
 The individual crane's load chart, operating instructions and other instructional plates must be read and understood prior to operating the crane

Load chart

Pick and carry



44.9 - 205.1 ft



56,800 lb



Pick and carry
Up to 1 mph



Boom centered
over rear

| Boom centered over rear | | | | |
|---|--------------------------|--------|--------|--------|
| Radius in feet | Main boom length in feet | | | |
| | 44.9 | 60.9 | 73.5 | 77 |
| 25 | 36,400 | | | |
| 30 | 25,600 | 30,000 | 31,700 | |
| 35 | 22,600 | 22,750 | 25,600 | 25,600 |
| 40 | | 17,600 | 20,200 | 21,300 |
| 45 | | 13,600 | 16,350 | 17,450 |
| 50 | | 12,350 | 13,300 | 14,400 |
| 55 | | | 10,850 | 11,850 |
| 60 | | | 9,200 | 9,900 |
| 65 | | | | 8,650 |
| Minimum boom angle (°) for indicated length (no load) | | | | 0° |
| Maximum boom length at 0° boom angle (no load) | | | | 77 ft. |

| Boom angle | Lifting capacities at 0° boom angle | | | |
|------------|-------------------------------------|--------|-------|-------|
| | 44.9 | 60.9 | 73.5 | 77 |
| 0° | 17,100 | 11,400 | 8,740 | 8,120 |

1. Capacities are in pounds and do not exceed 75% of tipping loads as determined by test in accordance with SAE J765.
2. Capacities are applicable to machines equipped with Titan ND LCM - 26.5x25 (44 ply) tires at 94 psi (6.5 bar) cold inflation pressure.
3. Capacities are applicable only with the machine on a firm level surface.
4. On rubber lifting with boom extensions not permitted.
5. For pick and carry operation, boom must be centered over rear of machine, mechanical swing lock engaged and load restrained from swinging.
6. Axle lockouts must be functioning when lifting on rubber.
7. All lifting depends on proper tire inflation, capacity and condition. Capacities must be reduced for lower tire inflation pressures. See the tire inflation table for tire specifications. Damaged tires are hazardous to safe operation of crane.
8. Creep - not over 200 ft (61 m) of movement in any 30 minute period and not exceeding 1 mph (1.6 km/h).

THIS CHART IS ONLY A GUIDE AND SHOULD NOT BE USED TO OPERATE THE CRANE.

The individual crane's load chart, operating instructions and other instructional plates must be read and understood prior to operating the crane

Rigging charts

| Rigging chart for installation and removal of outrigger boxes without counterweight, stationary on rubber, 360° | | | |
|---|--------------------------|--------|--------|
| Radius in feet | Main boom length in feet | | |
| | 44.9 | 60.9 | 73.5 |
| 10 | 17,000 | 18,000 | |
| 12 | 17,000 | 18,000 | 18,000 |
| 15 | 17,000 | 18,000 | 18,000 |
| 20 | 9,030 | 13,500 | 13,500 |
| Minimum boom angle (°) for indicated length (no load) | 54° | 65° | 69° |

**This capacity is based on maximum boom angle*

| Rigging chart for installation and removal of counterweight, on outriggers fully extended, 360° | | | |
|---|--------------------------|--------|--------|
| Radius in feet | Main boom length in feet | | |
| | 44.9 | 60.9 | 73.5 |
| 10 | 100,000 | 90,000 | 85,000 |
| 12 | 100,000 | 90,000 | 83,750 |
| 15 | 100,000 | 90,000 | 74,950 |
| 20 | 100,000 | 86,900 | 63,700 |
| 25 | 100,000 | 76,550 | 55,250 |
| 30 | 75,000 | 68,450 | 48,800 |
| 35 | 52,950 | 58,700 | 43,600 |

1. Capacities do not exceed 75% of tipping loads as determined by test in accordance with SAE J765.
2. Capacities are applicable to machines equipped with Titan 26.5x25 (44 ply) tires at 94 psi (6.5 bar) cold inflation pressure.
3. Capacities are applicable only with the machine on firm level surface.
4. On rubber lifting with boom extensions not permitted.
5. With no load, do not exceed a 25 ft (8 m) load radius over sides of the machine since a loss of stability could occur causing a tipping condition. To lower the boom into a horizontal position, swing the boom directly over the front of the machine and either fully retract the boom or switch the RCL system into a rigging table.
6. Once one outrigger box is installed, do not swing the load over that end of the machine while installing the other outrigger box.
7. Each outrigger box assembly weighs 8,900 lb (4037 kg), including the outrigger beams and pads.
8. Axle lockouts must be functioning when lifting on rubber. Lockout cylinders must be inflated to 100% when lifting on rubber 360 degrees.
9. All lifting depends on proper tire inflation, capacity, and condition. Capacities must be reduced for lower tire inflation pressures. See the tire inflation table for tire specifications. Damaged tires are hazardous to safe operation of the crane.

THIS CHART IS ONLY A GUIDE AND SHOULD NOT BE USED TO OPERATE THE CRANE.

The individual crane's load chart, operating instructions and other instructional plates must be read and understood prior to operating the crane

Load handling

| Weight reductions for load handling devices | |
|---|--------------------|
| Auxiliary boom nose | 195 kg (430 lb) |
| Hook blocks and overhaul weights: | |
| 120 t (134 USt), 8-sheave | 1180 kg (2601 lb)* |
| 100 t (112 USt), 7-sheave | 1140 kg (2513 lb)* |
| 75 t (83 USt), 5-sheave | 1070 kg (2359 lb)* |
| 45 t (50 USt), 3-sheave | 770 kg (1698 lb)* |
| 26 t (29 USt), 1-sheave | 535 kg (1179 lb)* |
| 11 t (12 USt) overhaul weight | 380 kg (838 lb)* |
| 11 t (12 USt) overhaul ball | 378 kg (833 lb)* |

*Refer to rating plate for actual weight.

| Tire inflation — bar (psi) | | |
|----------------------------|-----------|---|
| Size (front and rear) | TRA Code | Lifting service, general travel and extended travel |
| | | Static, creep and 4.0 km/h (2.5 mph) |
| 26.5 x 25 — 44 PR | E-3 / L-3 | 6.48 bar (94 psi) |

| Line pulls and reeving information | | | |
|------------------------------------|--|------------------------|----------------------|
| Hoists | Cable specs. | Permissible line pulls | Nominal cable length |
| Main | 19 mm (3/4 in) 35x7 Class rotation resistant (non-rotating) Min. breaking strength 38 918 kg (85,800 lb) | 7784 kg (17,160 lb)* | 294 m (964.5 ft) |
| Auxiliary | 19 mm (3/4 in) 35x7 Class rotation resistant (non-rotating) Min. breaking strength 38 918 kg (85,800 lb) | 7784 kg (17,160 lb)* | 233 m (764.4 ft) |

The approximate weight of 19 mm (3/4 in) wire rope is 2.2 kg/m (1.5 lb/ft).

*With certain boom and hoist tackle combinations, the allowable line pull may be limited by hoist performance. Refer to Hoist performance table for lift planning to ensure adequate hoist performance on drum rope layer required.

| 11,2 m — 17,8 m (36.7 ft - 58.4 ft) folding boom extension (manual or hydraulic) | | |
|--|-------------------------|--------------------------------------|
| | Without overhaul weight | With 380 kg (838 lb) overhaul weight |
| 11,2 m (36.7 ft) extension (erected)* | 2041 kg (4500 lb) | 3810 kg (8400 lb) |
| 17,8 m (58.4 ft) extension (erected)* | 3266 kg (7200 lb) | 5987 kg (13,200 lb) |

*Reduction of main boom capacities (no deduct required for stowed boom extension)

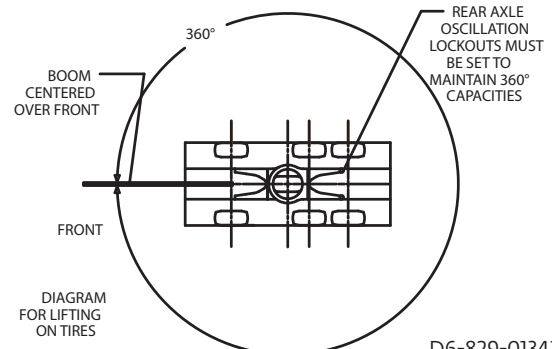
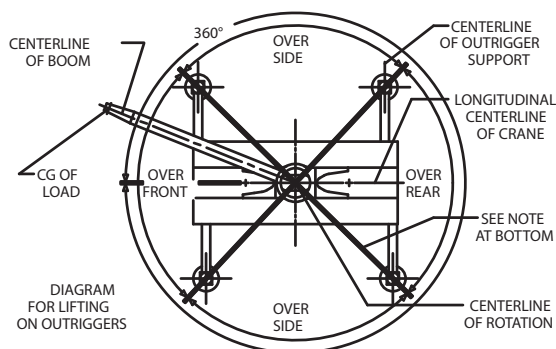
NOTE: All load handling devices and boom attachments are considered part of the load, and suitable allowances MUST BE MADE for their combined weights. Weights are for Grove furnished equipment.

NOTE: When operating at temperatures below -40°C (-40°F), capacities shall be derated 3.6% of rated load for each degree Fahrenheit below -40°C (-40°F) without shock load.

| Hoist performance | | | |
|-------------------|-----------------------|-------------------|---------------------|
| Wire rope layer | Hoist line pulls | Layer capacity | Total drum capacity |
| 1 | 10 614 kg (23,400 lb) | 33,1 m (108.7 ft) | 33,1 m (108.7 ft) |
| 2 | 9730 kg (21,450 lb) | 36 m (118.4 ft) | 69,2 m (227.1 ft) |
| 3 | 9004 kg (19,850 lb) | 39 m (128.1 ft) | 108,2 m (355.2 ft) |
| 4 | 8369 kg (18,450 lb) | 41,9 m (137.7 ft) | 150,2 m (492.9 ft) |
| 5 | 7824 kg (17,250 lb) | 44,9 m (147.4 ft) | 195,1 m (640.3 ft) |
| 6 | 7348 kg (16,200 lb) | 47,8 m (157.1 ft) | 243 m (797.4 ft) |
| 7 | 6917 kg (15,250 lb) | 50,8 m (166.7 ft) | 293,8 m (964.1 ft) |

*Refer to Line pulls and reeving information table for max. lifting capacity of wire rope.

Working area diagram



D6-829-013434

Bold lines determine the limiting position of any load for operation within working areas indicated.

THIS CHART IS ONLY A GUIDE AND SHOULD NOT BE USED TO OPERATE THE CRANE.

The individual crane's load chart, operating instructions and other instructional plates must be read and understood prior to operating the crane

Superstructure

Boom

BOOM: 13,7 m to 62,5 m (44.9 ft to 205 ft) six-section MEGAFORM™ boom with TWIN-LOCK™ boom pinning system.
Maximum tip height: 214 ft (65.2 m)

Boom nose

Seven nylon sheaves mounted on heavy-duty tapered roller bearings with removable pin type guards. Quick reeve boom nose. Removable single sheave auxiliary boom nose with removable pin-type rope guard.

Boom elevation

Single hydraulic cylinder with integral holding valve provides boom elevation from -2° to +80°.

Manual bi-fold swingaway extension

11,2 m – 17,8 m (36.7 ft – 58.4 ft) bi-fold lattice swingaway extension. Offsets at 0°, 15°, 30° and 50°. Stows alongside base boom section.
Maximum tip height: 83,2 m (273 ft)

Hydraulic bi-fold swingaway extension*

11,2 m – 17,8 m (36.7 ft – 58.4 ft) bi-fold lattice swingaway extension. Hydraulically offsets from 0° to 50°. Controlled from crane cab. Stows alongside base boom section.
Maximum tip height: 83,2 m (273 ft)

Lattice insert*

One 8 m (26.2 ft) lattice insert. Provides a total extension length of 25.8 m (84.6 ft) when paired with the bi-fold swingaway extension.
Maximum tip height: 91,1 m (299 ft)

Crane Control System (CCS)

Rated Capacity Limiter (RCL) with graphical display. Load moment and anti-two block system with audio-visual warning and control lever lockout. This system provides electronic display of boom angle, boom length, load radius, boom tip height, maximum permissible load, actual load and warning of impending two-block condition. Also includes an Operating display which shows the crane operating indicators, levels, warnings and faults. Other features include a Working Range Limiter (WRL) which allows the operator to preselect and define working areas. If the crane approaches the operator preset limits, audio-visual warnings aid the operator in avoiding obstructions. ECO mode system to control engine rpm to lower noise and improve fuel consumption. Operator-programmable function speeds and ramps.

Cab

Operator-controlled 20° hydraulic cab tilt, full vision, all steel fabricated with acoustical lining and tinted safety glass throughout. Deluxe seat with headrest, incorporates armrest-mounted electronic programmable single-axis or dual-axis controllers and a jog dial for easy data input. Tilt/telescoping steering wheel with controls incorporated into the steering column. Three camera system provides visibility of the rear, right side and hoists via in cab display. Other standard features include heater (hot water), circulating air fan, high-output air conditioning system, sliding skylight with sunscreen, windshield and skylight washer/wiper, windshield sun visor, fire extinguisher, seat belt, USB charging port, pivoting cup holder, and dual cab-mounted work lights.

Swing

Variable speed, 360° continuous rotation. Planetary swing drive with foot actuated multi-disc brake. Spring-applied, hydraulically released swing brake. Two-position mechanical swing lock pin, operated from cab.
Maximum speed: 1.1 rpm

Counterweight

25 764 kg (56,800 lb) hydraulically installed and removed. Controlled via CCS operating display in cab or via wireless rigging remote.

Hoist

Main and auxiliary hoists with grooved drums, axial piston motors, planetary gears and multiple disc brakes. Electronic hoist drum rotation indicator alerts operator of hoist movement. Third wrap indicator with hoist function cut-out and hoist camera is standard.

Hoist line pull:

First layer: 10 614 kg (23,400 lb)

Maximum line speed:

140 m/min (458 ft/min)

Maximum permissible line pull:

7784 kg (17,160 lb)

Rope construction:

35 x 7 rotation-resistant

Rope diameter:

19 mm (3/4 in)

Rope length:

Main hoist: 294 m (964.5 ft)

Auxiliary hoist: 233 m (764.4 ft)

* Denotes optional equipment

Specifications

Carrier

Chassis

Parallel box section fabricated from high-strength, low-alloy steel. Removable outrigger boxes. Front and rear lift, towing and tie-down lugs.

Outrigger system

Four hydraulic telescoping, single-stage, double box beam outriggers with inverted jack cylinders and integral holding valves. Three position settings: 0%, 50% and 100% (fully extended). Outrigger Monitoring System (OMS) with in-cylinder sensors. Outrigger beam position shown on RCL display. Outrigger boxes are removable for ease of transportation, with pinning controls on the carrier.

Steel outrigger floats 610 mm (24 in) diameter.
Maximum outrigger pad load: 75 297 kg (166,000 lb)

Outrigger controls

Main controls and digital level shown on operating display in cab. Extension and retraction are through the CCS system as well as the wireless rigging remote. Includes automatic leveling feature.

Hydraulic system

Two piston pumps and two gear pumps with a combined capacity of 573 l/min (151.5 gpm)
Maximum operating pressure: 300 bar (4350 psi)
Return line in-tank filter with full flow by-pass protection and service indicator. Replaceable cartridge with 4-micron filtration rating per ISO cleanliness level of 17/15/12. Superstructure-mounted oil cooler with thermostatically controlled electric motor driven fan/air to oil. System pressure test ports.
738 l (195 gal) hydraulic reservoir.

Engine (Tier 4 Final/Stage V)

Cummins B6.7L diesel engine with after-treatment system. Six-cylinder, turbo-charged and after-cooled engine. 224 kw (300 HP) at 2,500 rpm. Maximum torque: 1288 Nm (950 lb-ft) at 1500 rpm.
Meets emissions per U.S. EPA Tier 4 Final and E.U. Stage V.
Fuel requirement: Maximum of 15 ppm sulfur content (ultra low sulfur diesel). Diesel exhaust fluid required.
Please review your country's appropriate engine emissions standards before selecting an engine.

Engine (non-certified)

Cummins B6.7L diesel engine without aftertreatment system. Six-cylinder, turbo-charged and after-cooled engine. 224 kw (300 HP) at 2,500 rpm. Maximum torque: 1288 Nm (950 lb-ft) at 1500 rpm.
Fuel requirement: Maximum of 5000 ppm sulfur diesel fuel.
Please review your country's appropriate engine emissions standards before selecting an engine.

Fuel tank capacity

312 l (82 gal)

Transmission

Rangeshift with torque convertor. Six forward and six reverse speeds. (Three speeds high and three speeds low). Rear axle disconnect for two-wheel drive.

Axles

Axle 1: Drive/steer with differential and planetary reduction hubs rigid mounted to frame.
Axle 2: Steer only. Automatic full hydraulic lockouts on rear axle permits 152 mm (6 in) of oscillation for jobsite travel.
Axle 3: Drive/steer with differential and planetary reduction hubs. Automatic full hydraulic lockouts on rear axle permits 152 mm (6 in) of oscillation for jobsite travel.

Brakes

Full hydraulic split (dual) circuit dry disc operating on all wheels with dual calipers. High-pressure parking brake is spring applied/hydraulically released, mounted on the front axle.

Steering

Fully independent hydraulic power steering. Front axle controlled via steering wheel. Rear axles are mechanically linked and are controlled via separate momentary switch in cab. Rear steer alignment indicator included.
Four steering modes: two-wheel front, four-wheel rear, six-wheel coordinated and six-wheel crab
Outside six-wheel coordinated steer radius: 10,2 m (33.5 ft)
Inside six-wheel coordinated steer radius: 7,4 m (24.2 ft)

Suspension

Front axle: Rigid mounted to frame.
Rear axles: Hydro-gas suspension that provides +/- 76,2 mm (3 in) of travel from ride height for reduced transportation height.

Tires

26.5 x 25 – 44 bias ply rating

Lights

Full LED lighting package, including turn indicators; head, tail, brake and hazard warning lights; and work lights mounted on cab front.

Carrier

Electrical system

Two 12 V maintenance-free batteries provide 24 V electrical system.
Lockable battery disconnect located on carrier.

Maximum drive speed

24 km/h (15 mph) with no counterweight
(boom over rear w/ boom angle between 0° and 20°)
16 km/h (10 mph) with full counterweight
(boom over front w/ boom angle between 0° and 20°)
4 km/h (2.5 mph) with no counterweight
(boom over front w/ boom angle between 0° and 20°)

Gradeability (theoretical)

93% to drivetrain stall based on 886 662 (191,057 lb) GVW with 26.5 x 25 tires, 25 764 kg (56,800 lb) counterweight, main and auxiliary hoist, manual bi-fold extension, 100 t (112 USt) hook block and 11 t (12 USt) overhaul weight.

Miscellaneous standard equipment

Full-length aluminum decking, dual rear-view mirrors, hook block tie-down, electronic back-up alarm, carrier storage boxes, cab heat and air conditioning system, Operating hour display, A/V warning system, combination lift/tie-down/towing lugs, hoist access platform, sling assemblies for self-rigging of removable components, cab-controlled differential locks, and wireless rigging remote.

Optional equipment*

- Auxiliary Lighting and Convenience Package: Includes superstructure-mounted amber flashing beacon, dual base boom mounted floodlights controlled from cab, in-cab RCL light bar and rubber mat for storage trough.
- 11,2 m to 17,8 m (36.7 ft to 58.4 ft) bi-fold swingaway, hydraulically offset from 0° to 50° in lieu of the standard manually offsettable swingaway
- 1 x 8 m (26.2 ft) lattice boom insert
- Boom nose-mounted, boom position indicator light
- Wind speed indicator
- Bluetooth/AM/FM radio
- Vertical RCL light tower (external)
- Heated seat
- Emergency stop buttons on each side of carrier
- Rear pintle hitch
- 360° NYC-style mechanical swing lock
- -29°C/-20°F cold weather package
- -40°C/-40°F arctic weather package
- CraneSTAR telematic system

* Denotes optional equipment

Symbols glossary



Axles



Counterweight



Hydraulic system



Steering



Boom



Crane control system



Insert



Suspension



Boom elevation



Electrical system



Lights



Swing



Boom extension



Engine



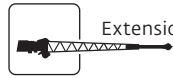
Outrigger controls



Tires



Boom nose



Extension



Outriggers



Transmission



Brakes



Fuel tank capacity



Radius



Cab



Grade



Rotation



Chassis



Hoist



Speed

Manitowoc Cranes

Regional headquarters

Americas

Milwaukee, Wisconsin, USA

Tel: +1 414 760 4600

Shady Grove, Pennsylvania, USA

Tel: +1 717 597 8121

Europe and Africa

Dardilly, France - TOWERS

Tel: +33 (0) 4 72 18 20 20

Wilhelmshaven, Germany - MOBILE

Tel: +49 (0) 4421 294 0

APAC

Shanghai, China

Tel: +86 21 6457 0066

Singapore

Tel: +65 6264 1188

Middle East and India

Dubai, UAE

Tel: +971 4 8862677



This document is non-contractual. Constant improvement and engineering progress make it necessary that we reserve the right to make specification, equipment, and price changes without notice. Illustrations shown may include optional equipment and accessories and may not include all standard equipment.