

# GHC30

## Product Guide

ASME B30.5  
Metric 75% and Imperial 75%



### Features

- 30 t (30 USt) capacity
- 100% pick and carry load charts
- 10 m – 25,2 m (33 ft – 83 ft) three-section, full-power boom
- Cummins QSB 4.5L Tier 4 final compliant engine
- Optional 13 m (42 ft 8 in) offsettable, bi-fold swingaway

# GROVE GHC30

A compact powerhouse, the GHC30 transports to the jobsite on one truck, with low gross vehicle weight and ground-bearing pressure and a boom measuring 10 m - 25,2 m (33 ft - 83 ft).

## Features

### > Strong telescopic boom

The GHC30 comes equipped with a robust full-power, three-section boom that allows for telescoping under load. The main boom offers 10 m - 25,2 m (33 ft - 83 ft) of reach. This paired with the optional 13 m (42 ft 8 in) offsettable swingaway extension provides a maximum tip height of 40,2 m (132 ft).



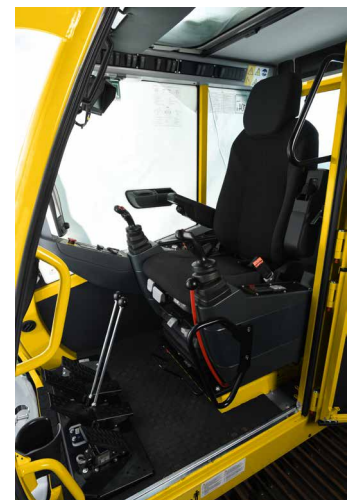
### > Travel made easy

Transportation to the jobsite can easily be accomplished in one load. Once on the jobsite, the GHC30's narrow dimensions provide excellent maneuverability in confined areas. The strong undercarriage provides 100 percent pick and carry capability and work up to 4° of inclination. The hydraulically extendable tracks allow for three working gauges for maximum flexibility on the job.



### > Comfort redefined

Operator cab is designed to deliver maximum comfort while incorporating conveniently located joystick controls for precise operation. Cab comes equipped with an integrated rated capacity limiter, air suspension seat, color monitor for up to four cameras and precise climate control. The cab can tilt up to 15° providing the operator additional comfort when working at long boom and extension lengths.



## CraneSTAR®

### > CraneSTAR is an exclusive and innovative crane asset management system

that helps improve your profitability and reduce costs by remotely monitoring critical crane data.

Visit [www.cranestar.com](http://www.cranestar.com) for more information.

## GHC30 benefits

### > More productive in more places on the jobsite

The GHC30 delivers unsurpassed maneuverability and versatility.

- Telescoping boom, plus heavy-duty crawler tracks for all-terrain productivity
- Superior gradeability
- High visibility cabs with up to 15° tilt
- Two-speed hydrostatic drive allows for skid steering and counter-rotation capability
- Compact design allows you to work in more places

### > Rugged durability to tackle all terrain

The GHC30 comes equipped with a durable, powerful crawler system.

- Hydraulically extendable and retractable crawlers
- Heavy-duty, 700 mm (28 in) triple bar, maintenance-free track shoes
- Cummins QSB Tier 3 or Tier 4 final diesel engines power through terrain challenges

### > Easy transport to the jobsite and quick assembly

The GHC30 helps you spend less time on the truck and more time on the job.

- Transports to the jobsite in one load
- Retracted gauge for transport width
- Excellent serviceability keeps you up and running



**Manitowoc Crane Care when you need it.**  
The assurance of the world's most advanced crane service and support to get you back to work fast.



**Manitowoc Finance helps you get right to work generating profits for your business.**  
Financial tools that help you capitalize on opportunity with solutions that fit your needs.

# Contents

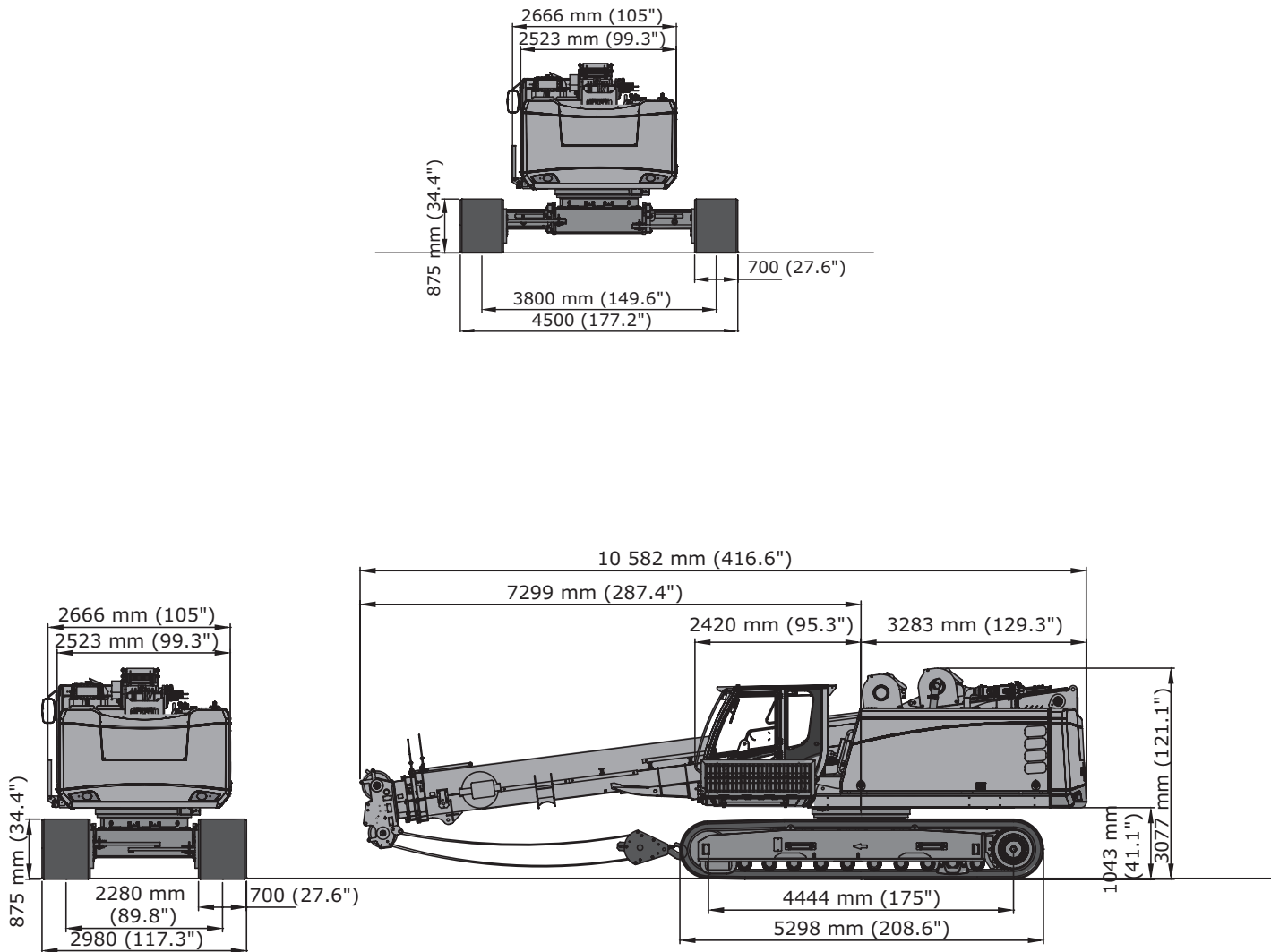
Dimensions .....	5
Load programs .....	7
Working range/ load charts – main boom metric 75% .....	8
Working range/load charts – extensions metric 75% .....	10
Working range/ load charts – main boom imperial 75% .....	13
Working range/ load charts – extensions imperial 75% .....	15
Load handling .....	18
Specifications .....	19
Symbols glossary .....	21

# Dimensions

## Transport dimensions and weights

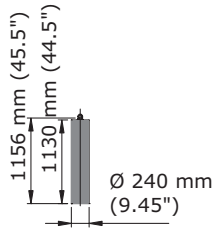
### Operating/ Transport Weight:

Approximately 33 820 kg (74,560 lb) with 13 m (42 ft 8 in) bi-fold boom extension, two hoists, 700 mm (28 in) triple bar shoes, 5 t (11,025 lb) counterweight and 25 t (27.5 USt) hook block.

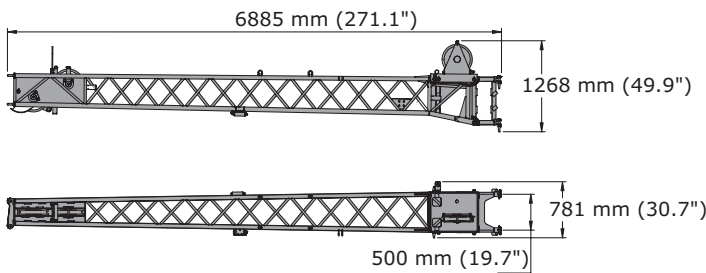


# Dimensions

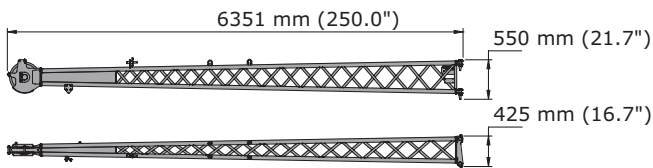
## Transport dimensions and weights



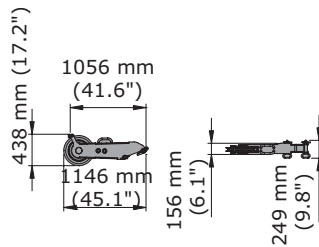
Counterweight inserts      2x 400 kg (880 lb)



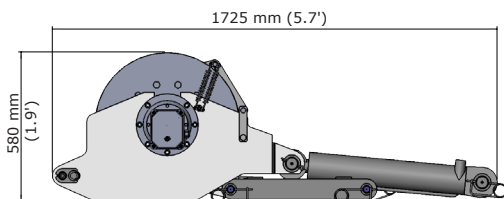
6,5 m (21 ft 4 in)  
boom extension      600 kg (1323 lb)



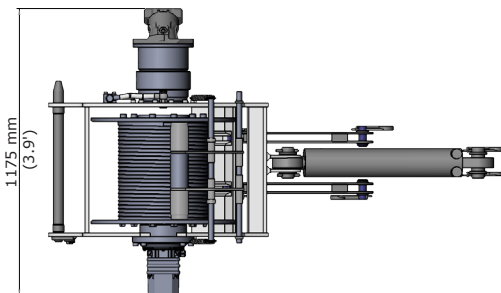
6,5 m (21 ft 4 in)  
fly boom extension      250 kg (551 lb)



Auxiliary jib      50 kg (110 lb)

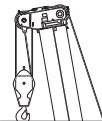
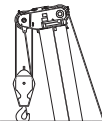
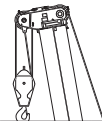
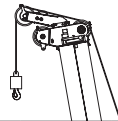
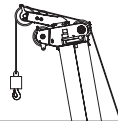
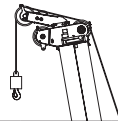






































Auxiliary hoist  
including 80m (262 ft)  
of wire rope      490 kg (1080 lb)



# Load programs

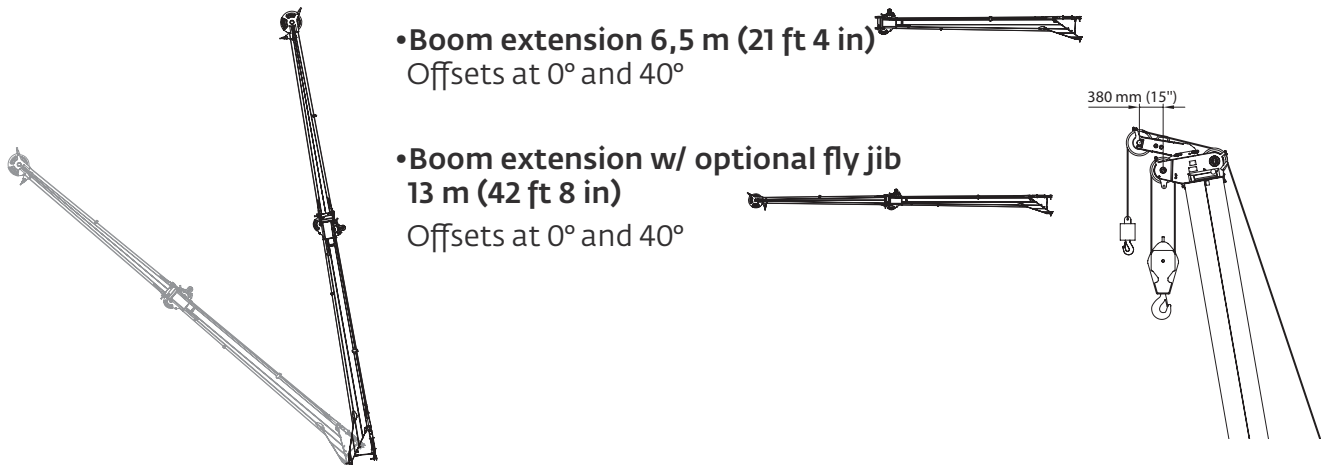
## Working load programs

	Main boom			Auxiliary boom nose			Boom extension 6,5 m (21 ft 4 in)			Bi-fold Boom Extension 13m (42 ft 8 in)		
												
<b>Counterweight</b>												
<b>Undercarriage track width (centerline to centerline of crawlers)</b>	 3,8 m (12.5")	 3,0 m (9.8")	 2,3 m (7.5")	 3,8 m (12.5")	 3,0 m (9.8")	 2,3 m (7.5")	 3,8 m (12.5")	 3,0 m (9.8")	 2,3 m (7.5")	 3,8 m (12.5")	 3,0 m (9.8")	 2,3 m (7.5")
 <b>4,2 t (9260 lb)</b>	360° 	360° 	360° 	360° 	360° 	360° 	360° 	—	—	360° 	—	—
 <b>5,0 t (11,025 lb)</b>	360° 	360° 	360° 	360° 	360° 	360° 	360° 	—	—	360° 	—	—

Note:

Additional safe working loads are also available for 2° and 4° inclines.

## Boom extension options



- **Boom extension 6,5 m (21 ft 4 in)**  
Offsets at 0° and 40°

- **Boom extension w/ optional fly jib 13 m (42 ft 8 in)**  
Offsets at 0° and 40°

Capacity	Weight	Cable reeving and maximum safe working load								
		9	8	7	6	5	4	3	2	1
4 t (4.4 USt)	80 kg (176 lb)	—	—	—	—	—	—	—	—	3500 kg (7716 lb)
25 t (27.5 USt) 3-sheave	220 kg (485 lb)	—	—	24 500 kg (54,013 lb)	21 000 kg (46,297 lb)	17 500 kg (38,581 lb)	14 000 kg (30,865 lb)	10 500 kg (23,149 lb)	7000 kg (15,432 lb)	3500 kg (7716 lb)
35 t (38.5 USt) 5-sheave	400 kg (882 lb)	31 500 kg (69,446 lb)	28 000 kg (61,729 lb)	24 500 kg (54,013 lb)	21 000 kg (46,297 lb)	17 500 kg (38,581 lb)	14 000 kg (30,865 lb)	10 500 kg (23,149 lb)	7000 kg (15,432 lb)	3500 kg (7716 lb)

THIS CHART IS ONLY A GUIDE AND SHOULD NOT BE USED TO OPERATE THE CRANE.

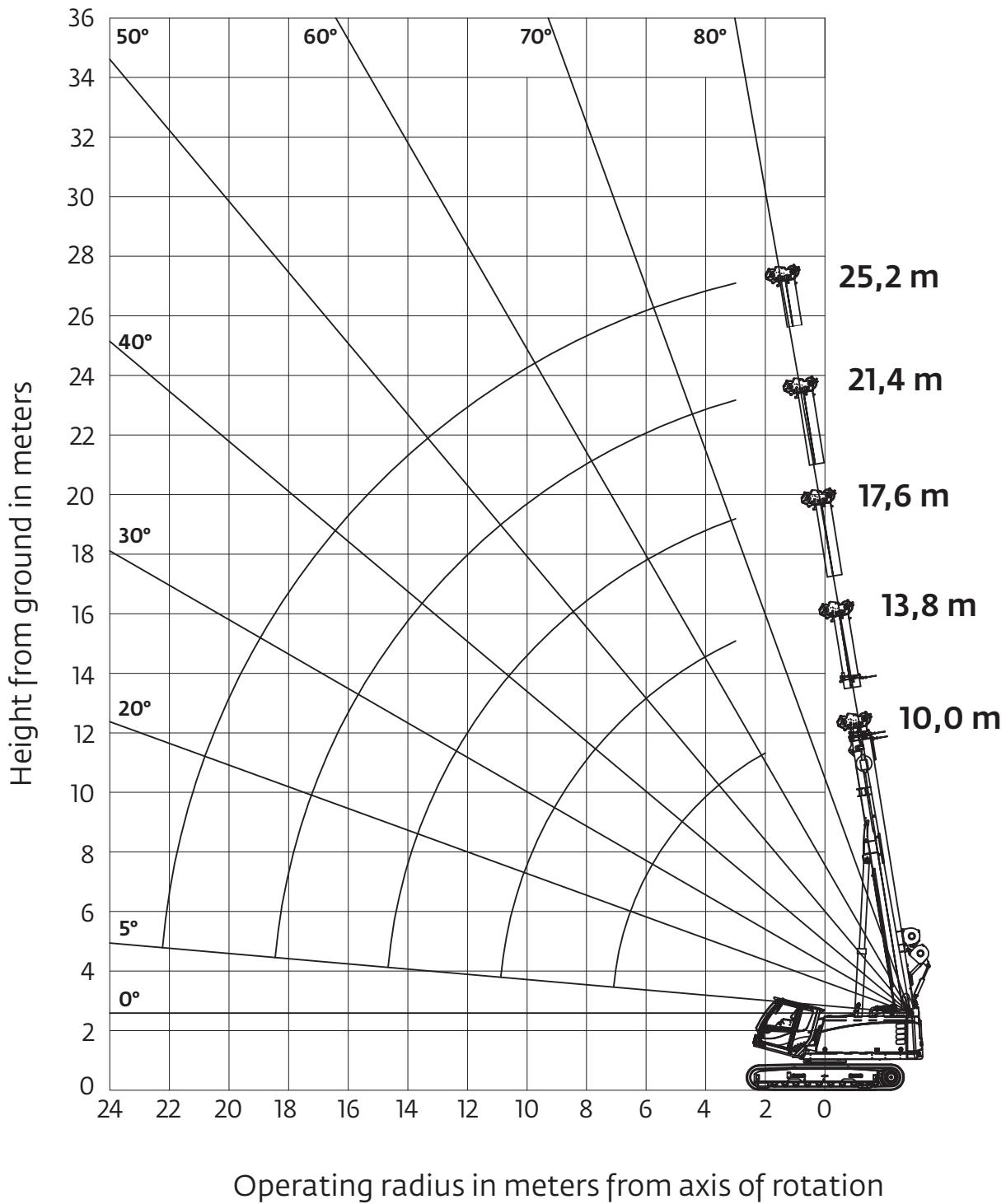
The individual crane's load chart, operating instructions and other instructional plates must be read and understood prior to operating the crane.

# Working range

Main boom – metric 75%

## Main boom

(BOOM DEFLECTION NOT SHOWN)



*THIS CHART IS ONLY A GUIDE AND SHOULD NOT BE USED TO OPERATE THE CRANE.  
The individual crane's load chart, operating instructions and other instructional plates must be read and understood prior to operating the crane.*



# Load chart

Main boom – metric 75%



25,2 m



5 t



100%



360°



Kilograms

Radius in meters	Main boom length in meters				
	10,0	13,8	17,6	21,4	25,2
2,5	30 000	—	—	—	—
3,0	28 500	19 000	19 000	14 200	10 300
4,0	24 500	19 000	18 300	13 200	9800
5,0	18 800	18 500	16 900	12 000	9300
6,0	13 600	14 000	13 600	10 800	8600
7,0	10 500	10 800	11 000	10 000	7900
8,0	—	8700	8800	8900	7300
9,0	—	7200	7400	7400	6800
10,0	—	6000	6200	6300	6400
11,0	—	—	5300	5400	5500
12,0	—	—	4500	4700	4700
13,0	—	—	4000	4100	4100
14,0	—	—	3500	3600	3600
15,0	—	—	—	3200	3200
16,0	—	—	—	2800	2800
17,0	—	—	—	2500	2600
18,0	—	—	—	2200	2300
19,0	—	—	—	—	2000
20,0	—	—	—	—	1800
21,0	—	—	—	—	1600
22,0	—	—	—	—	1400
<b>When 6,5 m extension is in stowed position, the rated loads must be reduced as follows:</b>					
Reduction of load (kg)	430	315	245	205	170
<b>When 13 m extension is in stowed position, the rated loads must be reduced as follows:</b>					
Reduction of load (kg)	580	425	335	275	235
<b>Lifting capacities at 5° boom angle</b>					
Boom Angle	Main Boom Length in Meters				
	10,0	13,8	17,6	21,4	25,2
5°	10 500 (7,1)	5300 (10,9)	3300 (14,7)	2100 (18,5)	1100 (22,3)

NOTE: ( ) reference radii in meters.

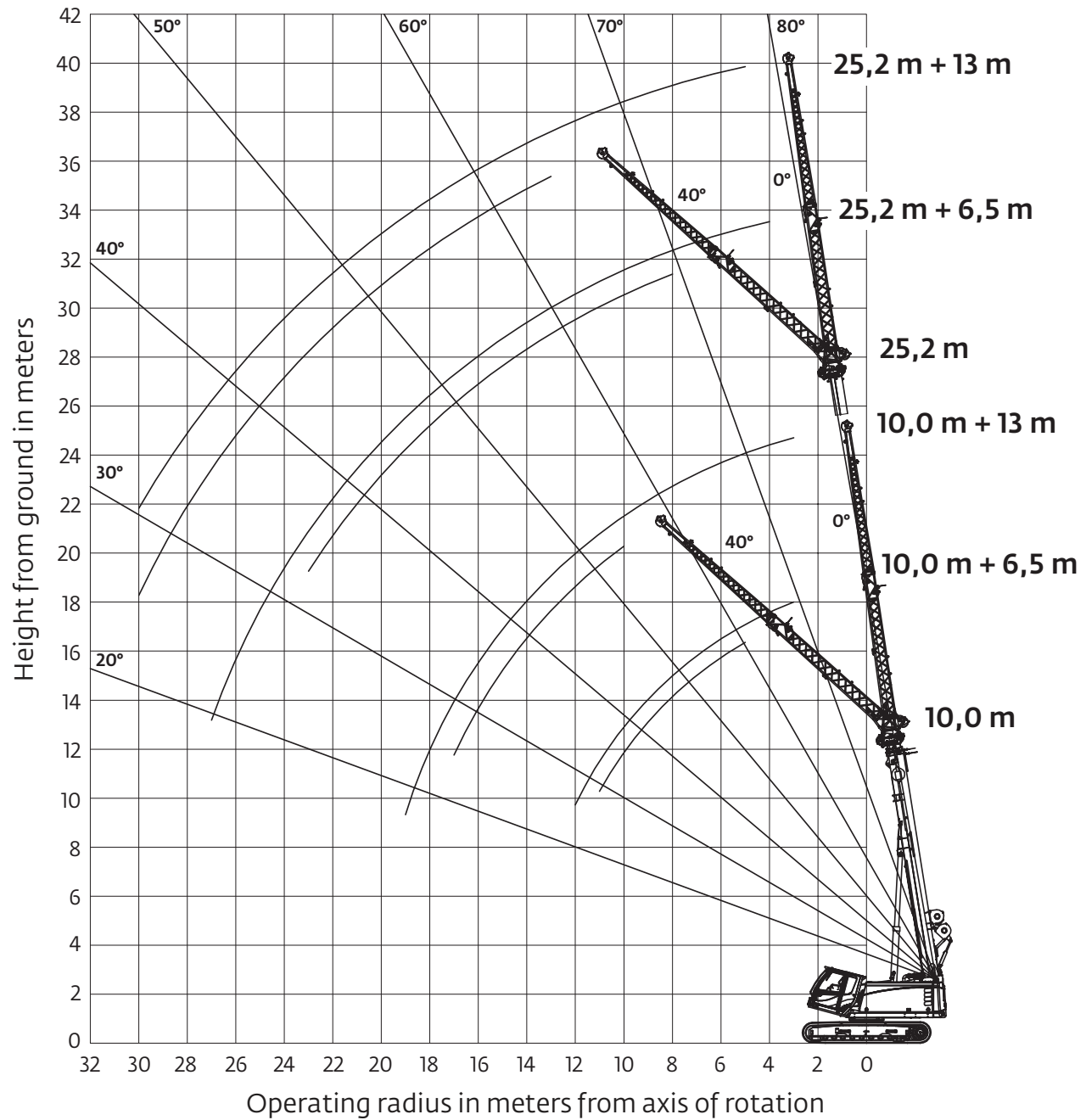
THIS CHART IS ONLY A GUIDE AND SHOULD NOT BE USED TO OPERATE THE CRANE.  
The individual crane's load chart, operating instructions and other instructional plates must be read and understood prior to operating the crane.

# Working range

Extensions – metric 75%

## Main boom with extensions

(BOOM DEFLECTION NOT SHOWN)



*THIS CHART IS ONLY A GUIDE AND SHOULD NOT BE USED TO OPERATE THE CRANE.*

*The individual crane's load chart, operating instructions and other instructional plates must be read and understood prior to operating the crane.*

# Load chart

Extensions – metric 75%



25,2 m



6,5 m



5 t



100%



360°



Kilograms

Radius in meters	Main boom length in meters									
	10,0		13,8		17,6		21,4		25,2	
	0°	40°	0°	40°	0°	40°	0°	40°	0°	40°
3,0	7000	—	7000	—	7000	—	7000	—	—	—
4,0	7000	—	7000	—	7000	—	7000	—	5700	—
5,0	6900	4400	7000	4300	7000	—	6900	—	5700	—
6,0	6700	4100	6900	4200	7000	4200	6700	—	5500	—
7,0	6100	3900	6800	4100	6900	4100	6500	4000	5400	—
8,0	5500	3800	6400	3900	6700	4000	6200	3900	5100	3800
9,0	5100	3600	6000	3800	6400	3900	5800	3800	4900	3700
10,0	4700	3600	5500	3700	6000	3800	5500	3700	4700	3600
11,0	4300	3500	5200	3600	5500	3700	5300	3600	4400	3600
12,0	3900	—	4800	3500	4800	3600	4800	3500	4200	3500
13,0	—	—	4200	3400	4200	3500	4100	3500	3900	3400
14,0	—	—	3700	3300	3700	3400	3600	3400	3700	3400
15,0	—	—	3300	—	3200	3300	3200	3400	3100	3300
16,0	—	—	2900	—	2800	3100	2800	3200	2800	3200
17,0	—	—	—	—	2500	2800	2500	2800	2500	2800
18,0	—	—	—	—	2300	—	2200	2500	2300	2600
19,0	—	—	—	—	2000	—	1900	2200	2000	2300
20,0	—	—	—	—	—	—	1700	1900	1700	2100
21,0	—	—	—	—	—	—	1500	—	1500	1800
22,0	—	—	—	—	—	—	1400	—	1300	1600
23,0	—	—	—	—	—	—	1100	—	1200	1400
24,0	—	—	—	—	—	—	—	—	1000	—
25,0	—	—	—	—	—	—	—	—	800	—
26,0	—	—	—	—	—	—	—	—	700	—
27,0	—	—	—	—	—	—	—	—	600	—

THIS CHART IS ONLY A GUIDE AND SHOULD NOT BE USED TO OPERATE THE CRANE.  
The individual crane's load chart, operating instructions and other instructional plates must be read and understood prior to operating the crane.

# Load chart

Extensions – metric 75%



25,2 m



13 m



5 t



100%



360°



Kilograms

Radius in meters	Main boom length in meters									
	10,0		13,8		17,6		21,4		25,2	
	0°	40°	0°	40°	0°	40°	0°	40°	0°	40°
3,0	3500		3500		3500					
4,0	3500		3500		3500		3200			
5,0	3500		3500		3500		3200		2400	
6,0	3500		3500		3500		3200		2400	
7,0	3300		3400		3400		3200		2400	
8,0	3100		3300		3300		3100		2400	
9,0	2800		3100		3100		3000		2400	
10,0	2600	1700	2900	1700	3000		2800		2400	
11,0	2500	1600	2700	1700	2800	1700	2700		2400	
12,0	2300	1600	2500	1700	2700	1700	2600	1600	2400	
13,0	2100	1500	2400	1600	2600	1600	2500	1600	2400	1500
14,0	2000	1500	2300	1600	2400	1600	2400	1500	2400	1500
15,0	1900	1400	2100	1500	2300	1500	2300	1500	2200	1400
16,0	1800	1400	2000	1500	2200	1500	2200	1400	2100	1400
17,0	1700	1300	1900	1400	2100	1500	2100	1400	2000	1400
18,0	1600		1800	1400	2000	1400	2000	1400	2000	1400
19,0	1500		1700	1400	1900	1400	1900	1300	1900	1300
20,0			1600	1400	1800	1400	1900	1300	1800	1300
21,0			1500		1700	1400	1800	1300	1800	1300
22,0			1400		1700	1300	1600	1300	1600	1300
23,0					1500	1300	1500	1300	1400	1300
24,0					1400		1300	1300	1200	1200
25,0					1300		1100	1300	1100	1200
26,0							1000	1200	900	1200
27,0							900		800	1100
28,0							800		700	1000
29,0									600	900
30,0									600	800

THIS CHART IS ONLY A GUIDE AND SHOULD NOT BE USED TO OPERATE THE CRANE.

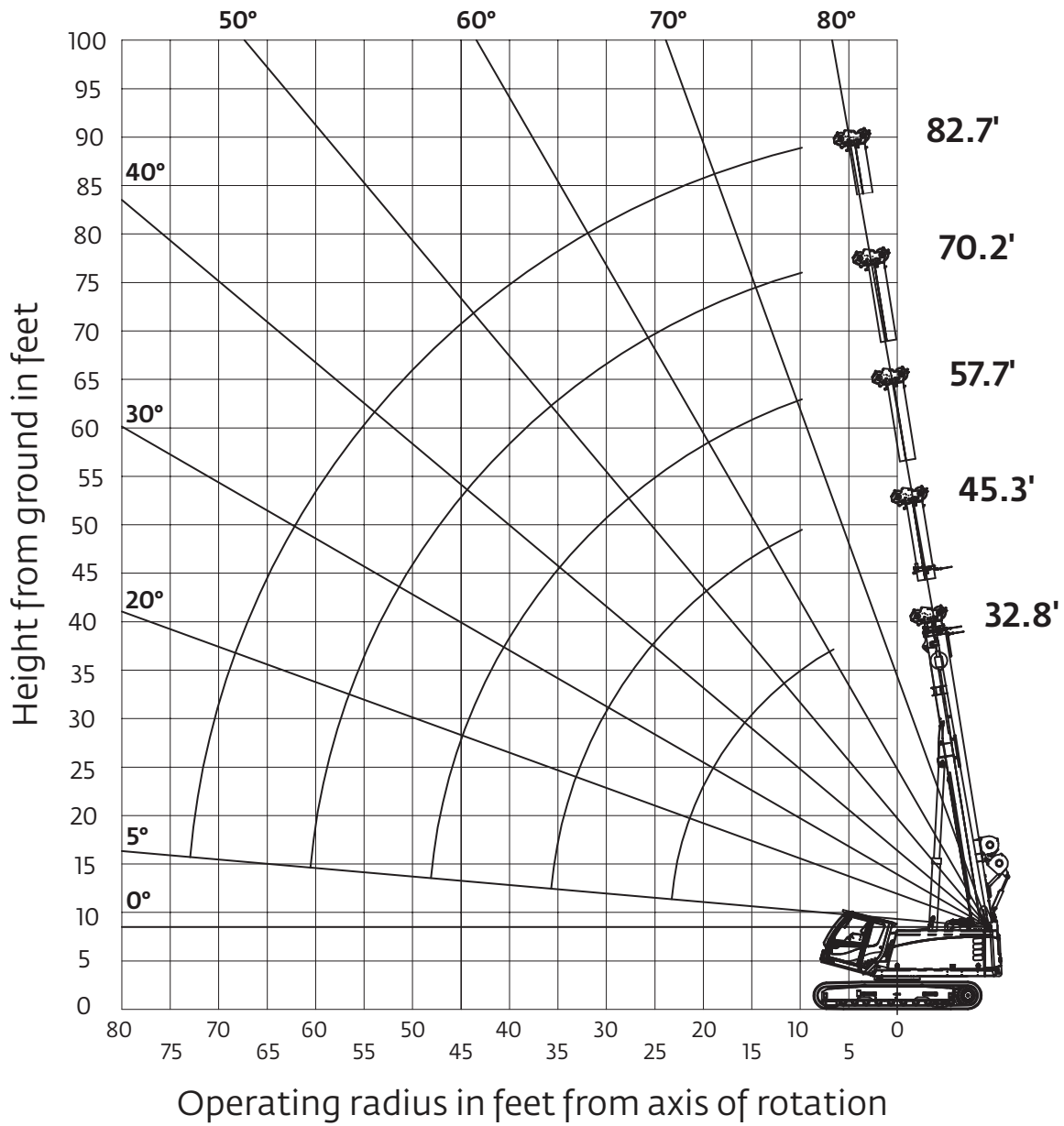
The individual crane's load chart, operating instructions and other instructional plates must be read and understood prior to operating the crane.

# Working range

Main boom – imperial 75%

## Main boom

(BOOM DEFLECTION NOT SHOWN)



*THIS CHART IS ONLY A GUIDE AND SHOULD NOT BE USED TO OPERATE THE CRANE.  
The individual crane's load chart, operating instructions and other instructional plates must be read and understood prior to operating the crane.*

# Load chart

Main boom – imperial 75%



82.7 ft



11,025 lb



100%



360°



Pounds

Radius in feet	Main boom length in feet				
	32.8	45.3	57.7	70.2	82.7
10	60,000	41,900	41,800	31,200	22,700
15	46,800	41,300	38,600	27,600	21,000
20	29,300	30,200	29,400	23,600	18,800
25	—	20,900	21,200	20,500	16,600
30	—	15,500	15,900	16,000	14,900
35	—	—	12,300	12,600	12,800
40	—	—	9700	10,100	10,100
45	—	—	8000	8200	8200
50	—	—	—	6800	6800
55	—	—	—	5700	5800
60	—	—	—	—	4900
65	—	—	—	—	4100
70	—	—	—	—	3400
<b>When 21.3 ft extension is in stowed position, the rated loads must be reduced as follows:</b>					
Reduction of load (lb)	948	694	540	452	375
<b>When 42.7 ft extension is in stowed position, the rated loads must be reduced as follows:</b>					
Reduction of load (lb)	1279	937	739	606	518
<b>Lifting capacities at 5° boom angle</b>					
Boom Angle	Main Boom Length in Feet				
	32.8	45.3	57.7	70.2	82.7
5°	23,100 (23.3)	11,700 (35.8)	7300 (48.2)	4600 (60.7)	2400 (73.2)

NOTE: ( ) reference radii in feet.

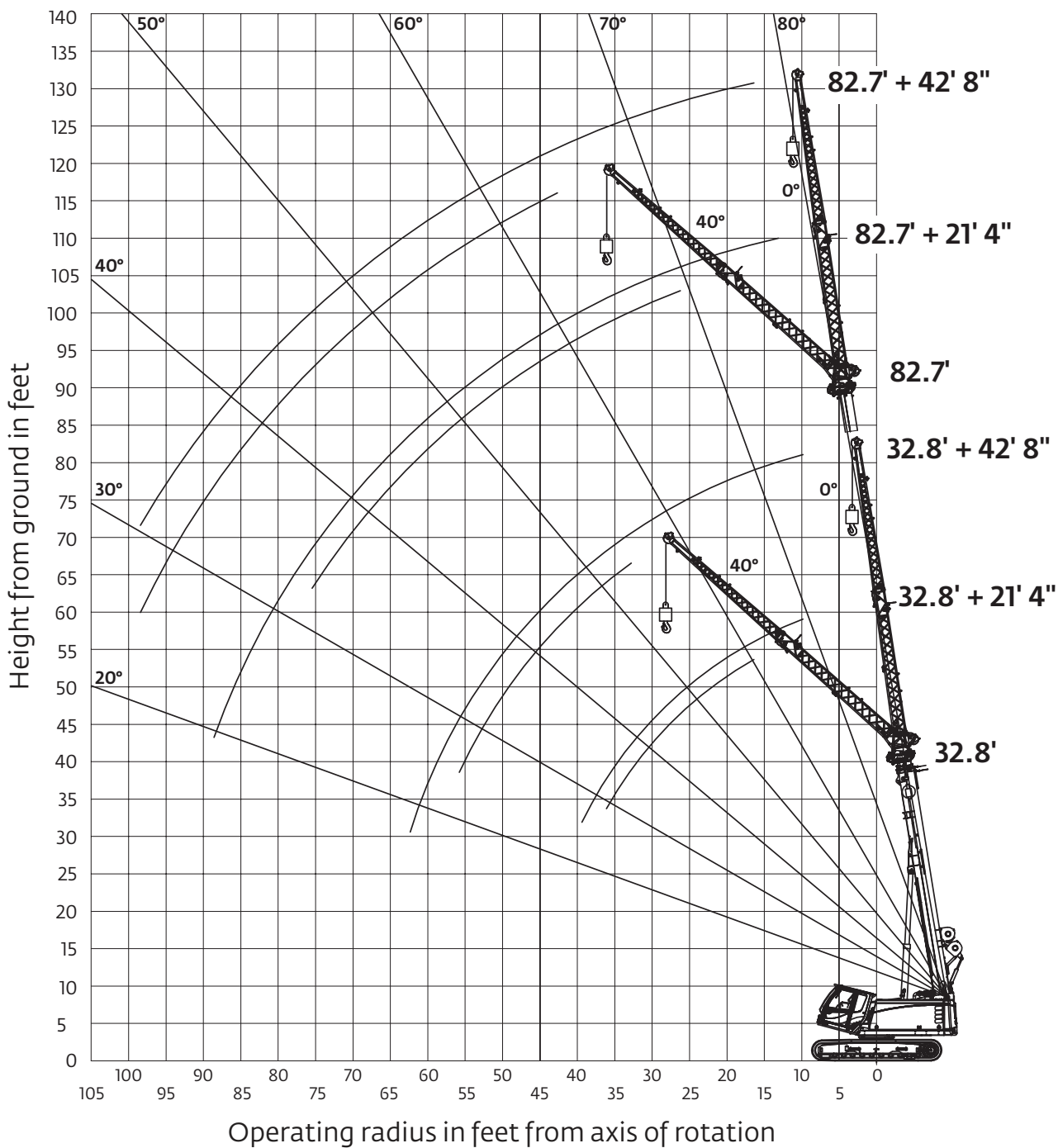
THIS CHART IS ONLY A GUIDE AND SHOULD NOT BE USED TO OPERATE THE CRANE.  
The individual crane's load chart, operating instructions and other instructional plates must be read and understood prior to operating the crane.

# Working range

Extensions – imperial 75%

## Main boom with extensions

(BOOM DEFLECTION NOT SHOWN)



*THIS CHART IS ONLY A GUIDE AND SHOULD NOT BE USED TO OPERATE THE CRANE.  
The individual crane's load chart, operating instructions and other instructional plates must be read and understood prior to operating the crane.*

# Load chart

Extensions – imperial 75%



82.7 ft



21 ft 4 in



11,025 lb



100%



360°



Pounds

Radius in feet	Main boom length in feet									
	32.8		45.3		57.7		70.2		82.7	
	0°	40°	0°	40°	0°	40°	0°	40°	0°	40°
10	15,400	—	15,400	—	15,400	—	15,400	—	—	—
15	15,300	—	15,400	—	15,400	—	15,300	—	12,600	—
20	14,600	9000	15,200	9200	15,400	9200	14,700	—	12,100	—
25	12,600	8500	14,400	8800	14,900	8900	13,900	8700	11,500	—
30	11,100	7900	13,100	8300	14,000	8600	12,700	8300	10,700	8100
35	9800	7800	11,700	8000	12,500	8200	11,800	8000	9900	7900
40	—	—	10,300	7700	10,300	7900	10,300	7700	9100	7700
45	—	—	8500	7300	8500	7600	8200	7600	8300	7500
50	—	—	7100	—	6800	7200	7400	7500	6700	7200
55	—	—	—	—	5700	6300	6700	7300	5700	6400
60	—	—	—	—	4900	—	6100	6900	4900	5500
65	—	—	—	—	—	—	5600	6300	3900	4700
70	—	—	—	—	—	—	4600	5300	3200	3800
75	—	—	—	—	—	—	4000	4600	2700	3100
80	—	—	—	—	—	—	3700	—	2000	—
85	—	—	—	—	—	—	3300	—	1600	—
90	—	—	—	—	—	—	3100	—	—	—
95	—	—	—	—	—	—	2800	—	—	—

THIS CHART IS ONLY A GUIDE AND SHOULD NOT BE USED TO OPERATE THE CRANE.

The individual crane's load chart, operating instructions and other instructional plates must be read and understood prior to operating the crane.



# Load chart

Extensions – imperial 75%



82.7 ft



42 ft 8 in



11,025 lb



100%



360°



Pounds

Radius in feet	Main boom length in feet									
	32.8		45.3		57.7		70.2		82.7	
	0°	40°	0°	40°	0°	40°	0°	40°	0°	40°
10	7700	—	7700	—	7700	—	—	—	—	—
15	7700	—	7700	—	7700	—	7100	—	—	—
20	7700	—	7700	—	7700	—	7100	—	5300	—
25	7000	—	7400	—	7400	—	6900	—	5300	—
30	6100	—	6800	—	6800	—	6600	—	5300	—
35	5600	3600	6100	3700	6300	—	6000	—	5300	—
40	5000	3500	5500	3700	5900	3700	5700	3500	5300	—
45	4500	3300	5100	3500	5400	3500	5400	3400	5300	3300
50	4100	3100	4600	3300	5000	3300	5000	3300	4800	3100
55	3800	2900	4200	3100	4700	3300	4700	3100	4500	3100
60	3500	—	3900	3100	4300	3100	4300	3000	4300	3000
65	—	—	3600	3100	4000	3100	4200	2900	4000	2900
70	—	—	3200	—	3700	3000	3800	2900	3800	2900
75	—	—	—	—	3400	2900	3300	2900	3100	2900
80	—	—	—	—	3000	—	2700	2900	2600	2600
85	—	—	—	—	—	—	2200	2700	2000	2600
90	—	—	—	—	—	—	1900	—	1700	2300
95	—	—	—	—	—	—	—	—	1300	2000

*THIS CHART IS ONLY A GUIDE AND SHOULD NOT BE USED TO OPERATE THE CRANE.  
The individual crane's load chart, operating instructions and other instructional plates must be read and understood prior to operating the crane.*

# Load handling

## Weight reductions for load handling devices

6,5 m - 13,0 m (21.3 ft - 42.7 ft) Boom extension:		
	Without block or ball	With 80 kg (176 lb) headache ball
*6,5 m (21.3 ft) extension (erected)	789 kg (1739 lb)	927 kg (2044 lb)
*13,0 m (42.7 ft) extension (erected)	1304 kg (2874 lb)	1497 kg (3300 lb)
Hook blocks and Headache ball:		
35 t (38.5 USt), 5-sheave		400 kg+ (882 lb+)
25 t (27.5 USt), 3-sheave		220 kg+ (485 lb+)
4 t (4.4 USt), headache ball		80 kg+ (176 lb+)

\*Reduction of main boom capacities  
+Refer to rating plate for actual weight

When lifting over swingaway and/or jib combinations, deduct total weight of all load handling devices reeved over main boom nose directly from swingaway or jib capacity.

**NOTE:** All load handling devices and boom attachments are considered part of the load and suitable allowances MUST BE MADE for their combined weights. Weights are for Grove furnished equipment.

## Line pulls and reeving information

Hoists	Cable specs	Permissible line pulls	Nominal cable length
Main and auxiliary	14 mm Verotop Rotation Resistant (non-rotating)	3500 kg (7716 lb*)	160 m (525 ft) 80 m (262 ft)

The approximate weight of Verotop 14 mm wire rope is 1.0 kg/m (0.67 lb/ft).

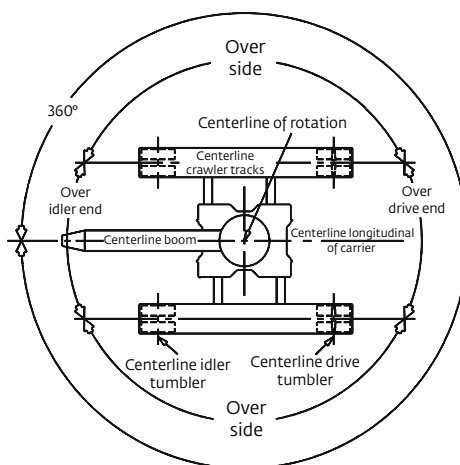
\*With certain boom and hoist tackle combinations, the allowable line pull may be limited by hoist performance. Refer to Hoist Performance table for lift planning to ensure adequate hoist performance on drum rope layer required.

## Hoist performance

Wire rope layer	Hoist line pulls	Drum rope capacity	
	Available*	Layer	Total
1	4313 kg (9509 lb)	28.7 m (94.1 ft)	28.7 m (94.1 ft)
2	4040 kg (8906 lb)	30.2 m (99 ft)	59.3 m (194.6 ft)
3	3799 kg (8375 lb)	31.7 m (103.9 ft)	91.9 m (301.4 ft)
4	3585 kg (7903 lb)	33.2 m (108.8 ft)	126.4 m (414.6 ft)
5	3394 kg (7482 lb)	34.7 m (113.7 ft)	162.8 m (534.2 ft)

\*Max lifting capacity: Verotop rope = 3500 kg (7716 lb)

## Working area diagram



# Specifications

## Upper carriage



### Standard boom

10 m - 25,2 m (33 ft - 83 ft) three-section, full power, synchronized, telescopic boom.  
Maximum tip height: 27,1 m (89 ft)



### \*Optional boom extension

6,5 m (21 ft 4 in) lattice, one piece swingaway extension.  
Manually offset at 0° and 40°.  
Maximum tip height: 34 m (111 ft 6 in).

13 m (42 ft 8 in) lattice, bi-fold, swingaway extension.  
Manually offset at 0° and 40°.  
Maximum tip height: 40,2 m (132 ft).



### Boom nose

Five nylatron sheaves on heavy-duty roller bearings with removable rope guards. Quick reeve type boom nose.



### Boom elevation

One double-acting hydraulic cylinder with integral holding valves.  
Elevation: -7° to 80°



### Rated capacity limiter and anti-two block system

Load moment and independent anti-two block system with audio visual warning and control lever lock-out. These systems provide graphic display of boom angle, length, radius, tip height, relative load moment, maximum permissible load, load indication and warning of impending two-block condition with lock-out hoist function.



### Counterweight

5000 kg (11,025 lb) - includes two removable counterweight inserts weighing 400 kg (882 lb) each.



### Cab

Large capacity operator's compartment that includes an air suspended operator's seat with lumbar support, heated seat, headrest, 3 inch safety belt, ergonomic control panels, load sensing electric dual axis joystick controls, travel pedals and levers, exceptional sound insulation, split cab door with fold out window, excellent all around visibility, tinted safety glass, front and rear tilt out window, large skylight w/ sun protection, windshield and roof wiper/washer system, radio with USB input and Bluetooth, climate control (A/C, heat and defrost), fire extinguisher, and 15° tilt capability for improved overhead vision and ergonomic posture. Also equipped with a 7 inch monitor in cab for rear view, right side and hoist cameras.



### Swing

Two-speed, compact planetary gears with slant axis hydraulic motor and integrated brake valves. Sealed, externally geared slewing ring that allows for 360° of continuous rotation. Electronically applied service brake operated via foot pedal. Spring applied, hydraulically released parking brake. One position, hydraulically pinned house lock.  
Swing speed: 0 - 2.2 rpm, variable



### Hydraulic system

Load sensing hydraulic system with electronic over hydraulic controlled work functions, and load limit sensing control. Single variable-displacement piston pump with a two-section gear pump.

Maximum output: 315 lpm (83.2 gpm)

Maximum operating pressure: 330 bar (4,786 psi)

510 L (134 gal) steel hydraulic reservoir with sight level gauge.

High performance, 3 micron filtration system for higher oil purity and extended oil service life.



### Hoist specifications

#### (main and optional auxiliary)

Single-speed hoists driven via driven via an inclined axis hydraulic motor with compact planetary gear. Spring-loaded disc brake. Grooved drum with drum rotation indicator for both hoists that is located in the joystick controls.

Maximum hoist pull (first layer): 4309 kg (9500 lb)

Maximum permissible single line pull: 3500 kg (7716 lb)

Maximum single line speed: 113 m/min (371 ft/ min)

Rope construction: 35 X 7 Rotation Resistant

Rope diameter: 14 mm

Rope length: 160 m (525 ft) on main

80 m (262 ft) on auxiliary



### Engine (Tier 4)

Cummins QSB 4.5 L diesel, four cylinders, turbocharged with Cummins Diesel Oxidation Catalyst (DOC) exhaust and Selective Catalytic Reduction (SCR).

Meets USEPA Tier 4 final requirements.

129 kW (173 bhp) at 2500 rpm.

Fuel requirements: Maximum of 15 ppm sulphur content

(ultra-low diesel fuel). DEF (diesel exhaust fluid) required for SCR (selective catalytic reduction).

NOTE: Tier 4 engine required for sale in North America.



### Engine (Tier 3)

Cummins QSB 4.5 L diesel, four cylinders, turbocharged rated at 119 kW (160 bhp) at 2200 rpm.

NOTE: Required for sale outside of North America.



### Fuel tank capacity

Diesel Fuel: 360 L (95 gal)

DEF (diesel exhaust fluid): 38 L (10 gal)



### Electrical system

24 volt with two 12-volt, maintenance-free batteries.

Includes battery disconnect switch.



### Lights

Lighting package includes two halogen lights integrated into the front side of the cab roof and one LED headlight on the upper carriage, right side.

# Specifications

## Lower carriage



### Frame

Durable all steel welded construction with extendable axle beams.



### Side frames

Four steel side frame beams that can be hydraulically extended or retracted via controls in the cab. 700 mm (28 in) triple bar maintenance free track shoes.

Retracted gauge: 2,30 m (7.5 ft)

Intermediate gauge: 3,05 m (10 ft)

Extended gauge: 3,80 m (12.5 ft)

\*Note: These widths are from centerline to centerline of crawlers.



### Travel

Two-speed hydrostatic drive operated via lever/pedal controls in cab. Allows for excellent maneuverability with skid steering and counter-rotation. Both side frames are hydraulically driven through a two-stage hydraulic traction motor. Spring-loaded, hydraulically venting disk brake.

Travel Speed: Max Low Range – 1.72 kmh (1.07 mph)

Max High Range – 3 kmh (1.86 mph)

Gradeability (theoretical): 70%

### Operating weight

Approximately 33 820 kg (74,560 lb) base machine configuration with 25,2 m (83 ft) boom, 13 m (42 ft 8 in) bi-fold boom extension, 2 hoists, 700 mm (28 in) triple bar shoes, 5 t (11,025 lb) counterweight and 25 t (27.5 USt) hook block. Ground bearing pressure: 0.54 kg/cm<sup>2</sup> (7.68 psi)

### Miscellaneous standard equipment

- Central, easily accessible lubricating strip for slewing ring
- Foldable grated platforms on the side of cab and both sides of the upper carriage
- Storage box attached to the rear frame
- Service friendly engine and hydraulic compartments with decoupled engine suspension, sound proofing and lighting
- 25 t (27.5 USt) three-sheave, quick reeve hook block
- External RCL light bar

### \*Optional equipment

- Auger Ready Package: Includes hoses and pipes at the base boom, auger hydraulic circuit 150 L/min (39 gpm), 175 bar (2500 psi), controls and switches in the cab for auger operation
- Auger Motor and Kelly Bar: Includes stowage brackets, hydraulic hoses to connect to the auger ready package plumbing, the auger motor and Kelly bar
- Auger Flightings: 609 mm (24 in), 914 mm (36 in) and 1219 mm (48 in) available
- Pole Claw Preparation / Tool Circuit: Provides 35 L/min (9 gpm), 175 bar (2500 psi) through a 32 m (105 ft) hose reel with quick disconnect fittings, switch for tilting and clamping function, controls and switches in the cab.
- Pole claw
- Basket: Yoke style, 72 in x 36 in (1829 mm x 914 mm) steel basket, gravity hung with cylinder brake lock (does not side stow). Includes quick-attach boom attachments for the main boom and standard 6,5 m (21 ft 4 in) boom extension. Basket capacities: 544,3 kg (1200 lb) main boom and 226,7 kg (500 lb) on boom extension
- Radio remote control package
- Cold weather packages up to -40° C / -40° F
- Maintenance-free flat track shoes
- Swing barrier protection
- Polyurethane clamp-on tack pads
- CraneStar asset management system

# Symbols glossary



Boom



Counterweight



Grade



Radius



Boom elevation



Electrical system



Hoist



Rotation



Boom extension



Engine



Hook block



Side Frames



Boom length



Extension



Hydraulic system



Speed



Boom nose



Frame



Lights



Swing



Cab



Fuel tank capacity



Oil

# Notes



## Manitowoc Cranes

### Regional headquarters

#### Americas

**Manitowoc, Wisconsin, USA**

Tel: +1 920 684 4410

Fax: +1 920 652 9778

**Shady Grove, Pennsylvania, USA**

Tel: +1 717 597 8121

Fax: +1 717 597 4062

#### Europe and Africa

**Dardilly, France - TOWERS**

Tel: +33 (0)4 72 18 20 20

Fax: +33 (0)4 72 18 20 00

**Wilhelmshaven, Germany - MOBILE**

Tel: +49 (0) 4421 294 0

Fax: +49 (0) 4421 294 4301

#### China

**Shanghai, China**

Tel: +86 21 6457 0066

Fax: +86 21 6457 4955

#### Middle East and Greater Asia-Pacific

**Singapore**

Tel: +65 6264 1188

Fax: +65 6862 4040

**Dubai, UAE**

Tel: +971 4 8862677

Fax: +971 4 8862678/79



This document is non-contractual. Constant improvement and engineering progress make it necessary that we reserve the right to make specification, equipment, and price changes without notice. Illustrations shown may include optional equipment and accessories and may not include all standard equipment.