

Grove GHC130 Product Guide

ASME B30.5
Metric 75% and Imperial 75%



Features

- 120 t (132 USt) capacity
- 12,6 m – 40,2 m (41 ft 4 in – 131 ft 11 in) four-section full power boom
- 15 m (49 ft 3 in) offsettable boom extension
- Two 5,6 m (18 ft 4 in) lattice inserts with 0,8 m (2 ft 8 in) boom head
- 100% pick and carry load charts
- Cummins QSB 6.7L Tier 4 final compliant engine

GROVE GHC130

The GHC130 delivers heavy-duty lifting power and exceptional mid-range and maximum reach, with a boom length of 12,6 m – 40,2 m (41 ft 4 in – 131 ft 11 in).

Features

> Comfort redefined

Operator cab is designed to deliver maximum comfort while incorporating conveniently located joystick controls for precise operation. Cab comes equipped with an integrated rated capacity limiter, air suspension seat, color monitor for up to four cameras and precise climate control. The cab can tilt up to 20° providing the operator additional comfort when working at long boom and extension lengths.



> Travel made easy

Transportation to the jobsite can easily be accomplished in three to five loads. Setup time is minimal thanks to the GHC130's quick self-assembly system for both the counterweight and side frames. Once assembled the strong undercarriage provides 100 percent pick and carry capability and work up to 4° of inclination. The hydraulically extendable tracks allow for three working gauges for maximum flexibility on the job.



> Strong telescopic boom

The GHC130 comes equipped with a robust full-power four-section boom that allows for telescoping under load. The main boom offers 12,6 m – 40,2 m (41 ft 4 in – 131 ft 11 in) of reach. This paired with the standard 8 m (26 ft 3 in) offsettable swingaway extension provides a tip height of 51 m (167 ft 4 in). If additional reach is required, two pieces of 5,6 m (18 ft 4 in) lattice inserts with 0,8 m (2 ft 8 in) boom head and a 7 m (23 ft) fly extension are available to reach a maximum tip height of 70 m (229 ft 8 in).



CraneSTAR[®]

> CraneSTAR is an exclusive and innovative crane asset management system

that helps improve your profitability and reduce costs by remotely monitoring critical crane data.

Visit www.cranestar.com for more information.

GHC130 benefits

More productive in more places on the jobsite

The GHC130 delivers unsurpassed maneuverability and versatility.

- Telescoping boom plus heavy-duty crawler tracks for all-terrain productivity
- Superior gradeability
- High visibility cabs with up to 20° tilt
- Two-speed hydrostatic drive allows for skid steering and counter-rotation capability
- Compact design allows you to work in more places

Rugged durability to tackle all terrain

The GHC130 comes equipped with a durable, powerful crawler system.

- Hydraulically extendable and retractable crawlers
- Heavy-duty, 900 mm (36 in) triple bar, maintenance-free track shoes
- Cummins QSB Tier 3 or Tier 4 final diesel engines power through terrain challenges
- Easy, self-assembling crawlers

Easy transport to the jobsite and quick assembly

The GHC130 helps you spend less time on the truck and more time on the job.

- Transports to the jobsite in three to five loads
- Retracted gauge for transport width
- Self-assembly counterweight
- Undercarriage frame with jacks for easy self assembly of crawlers
- Excellent serviceability keeps you up and running



Manitowoc Crane Care when you need it.
The assurance of the world's most advanced crane service and support to get you back to work fast.



Manitowoc Finance helps you get right to work generating profits for your business.
Financial tools that help you capitalize on opportunity with solutions that fit your needs.

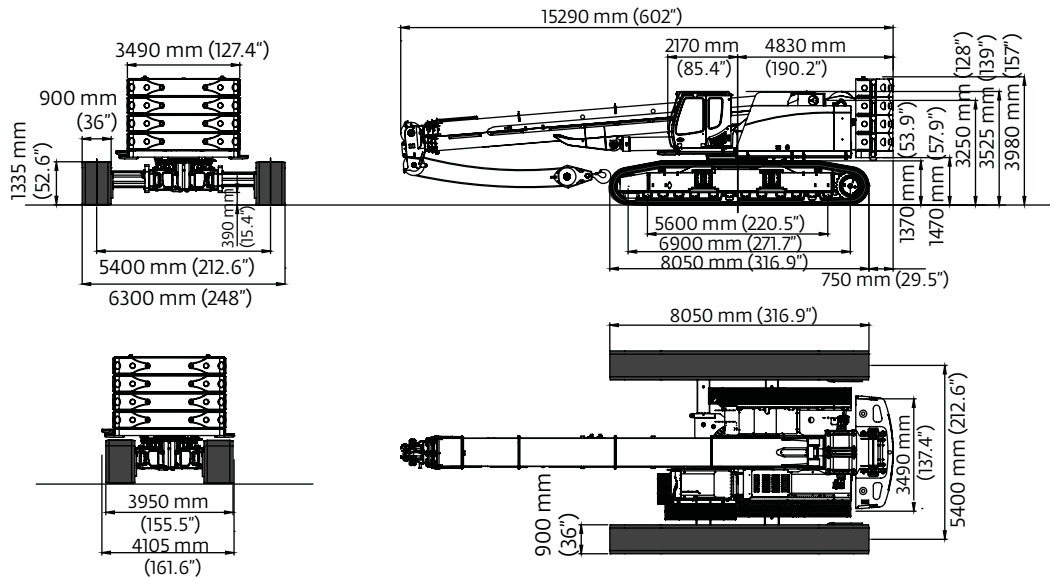
Contents

- Dimensions 5
- Load programs 7
- Transportation/assembly 8
- Working range/load charts – main boom metric 75% 10
- Working range/ load charts – auxiliary boom heavy duty jib metric 75% 12
- Working range/load charts – extensions metric 75% 16
- Working range/load charts – inserts and extensions metric 75% 18
- Working range/ load charts – main boom imperial 75% 20
- Working range/ load charts – auxiliary boom heavy duty jib imperial 75% 22
- Working range/load charts – extensions imperial 75% 25
- Working range/load charts – inserts and extensions imperial 75% 28
- Load handling 30
- Specifications 31
- Symbols glossary 33

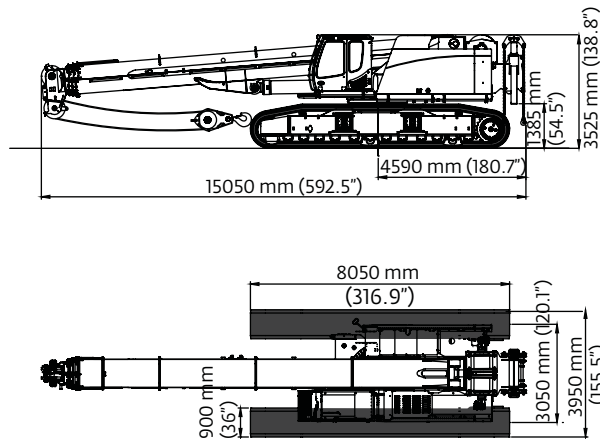
Dimensions

Transport dimensions and weights

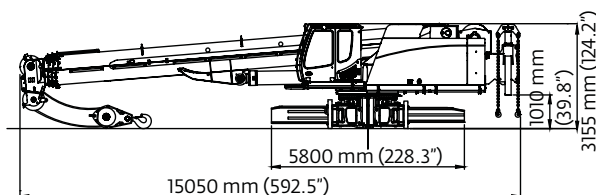
Operating weight: approximately 113 780 kg (250,840 lb) (with two hoists, 8 m (26 ft 3 in) boom extension, 60 t (66.1 USt) hook block, 33 320 kg (73,458 lb) counterweight, and 900 mm (36 in) triple bar shoes.



Operating weight: approximately 80 460 kg (177, 382 lb) (with two hoists, 8 m (26 ft 3 in) boom extension, 60 t (66.1 USt) hook block, 900 mm (36 in) triple bar shoes, and no counterweight).



Transport weight: approximately 49 060 kg (108,156 lb) (with two hoists, 8 m (26 ft 3 in) boom extension, 60 t (66.1 USt) hook block, no side frames, and no counterweight)



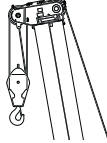
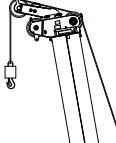

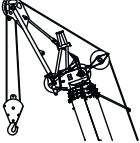




















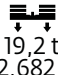








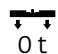






Dimensions

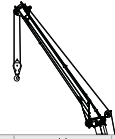





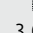
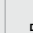


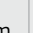
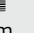

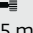







Transport dimensions and weights

	Crawler	2x	15 700 kg (34,613 lb)
	Base plate for counterweight	1x	5400 kg (11,906 lb)
	Counterweight	4x	6980 kg (15,388 lb)
	Boom extension - 8 m (26 ft 3 in)		900 kg (1984 lb)
	Fly jib extension - 7 m (23 ft)		300 kg (661 lb)
	Auxiliary boom nose		160 kg (353 lb)
	Lattice insert - 5,6 m (18 ft 4 in)		573 kg (1263 lb)
	Boom head for insert - 0,8 m (2 ft 8 in)		391 kg (862 lb)
	Heavy duty jib - 3 m (10 ft)		650 kg (1,433 lb)

Load programs

Working load programs

	Main boom			Auxiliary boom nose			Inserts 6,2 m (21 ft) or 12 m (39 ft 4 in)			Heavy Duty Jib 3m (10 ft)		
												
Undercarriage track width (centerline to centerline of crawlers)	 5,4 m (17' 9")	 4,2 m (13' 9")	 3,05 m (10')	 5,4 m (17' 9")	 4,2 m (13' 9")	 3,05 m (10')	 5,4 m (17' 9")	 4,2 m (13' 9")	 3,05 m (10')	 5,4 m (17' 9")	 4,2 m (13' 9")	 3,05 m (10')
Counterweight												
 33 t (73,458 lb)	360° 	360° 	—	360° 	360° 	—	360° 	—	—	360° 	360° 	—
 19,2 t (42,682 lb)	360° 	360° 	360° 	360° 	360° 	360° 	—	—	—	360° 	360° 	—
 0 t	360° 	360° 	360° 	360° 	360° 	360° 	—	—	—	—	—	—

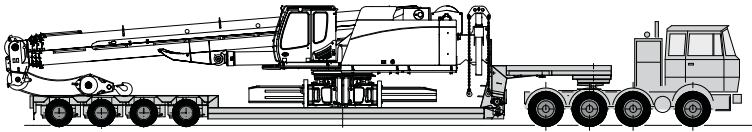
	Boom Extension 8 m (26 ft 3 in)			Boom Extension with optional fly jib 15 m (49 ft 3 in)			Inserts: 6,2 m (21 ft) or 12 m (39 ft 4 in) and boom extension 8 m (26 ft 3 in)			Inserts: 6,2 m (21 ft) or 12 m (39 ft 4 in) and boom extension 15 m (49 ft 3 in)		
												
Undercarriage track width (centerline to centerline of crawlers)	 5,4 m (17' 9")	 4,2 m (13' 9")	 3,05 m (10')	 5,4 m (17' 9")	 4,2 m (13' 9")	 3,05 m (10')	 5,4 m (17' 9")	 4,2 m (13' 9")	 3,05 m (10')	 5,4 m (17' 9")	 4,2 m (13' 9")	 3,05 m (10')
Counterweight												
 33 t (73,458 lb)	360° 	—	—	360° 	—	—	360° 	—	—	360° 	—	—

NOTE: Additional safe working loads are also available for 2° and 4° inclines.

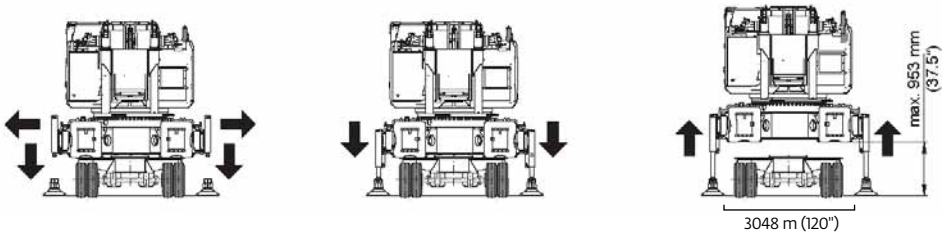
THIS CHART IS ONLY A GUIDE AND SHOULD NOT BE USED TO OPERATE THE CRANE.
The individual crane's load chart, operating instructions and other instructional plates must be read and understood prior to operating the crane.

Transportation / assembly

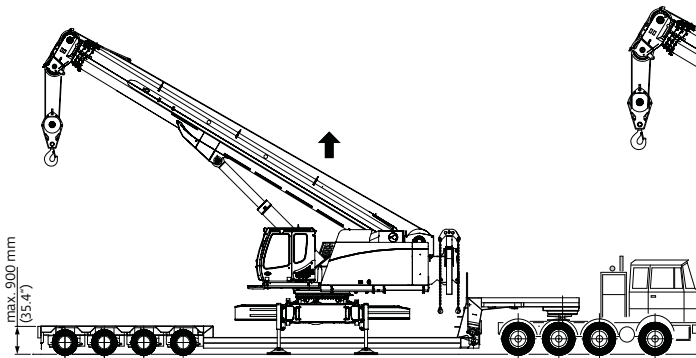
1



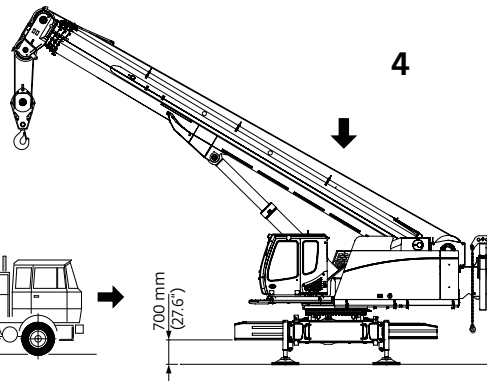
2



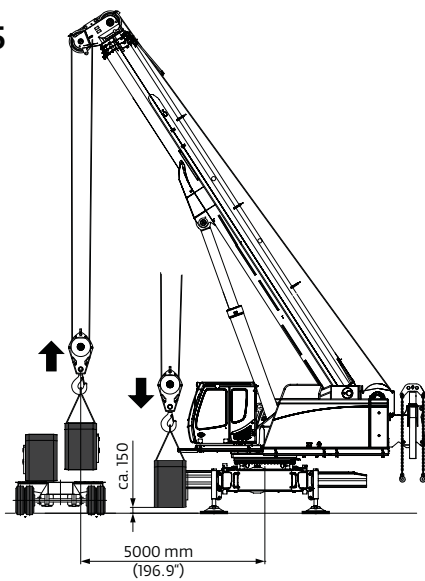
3



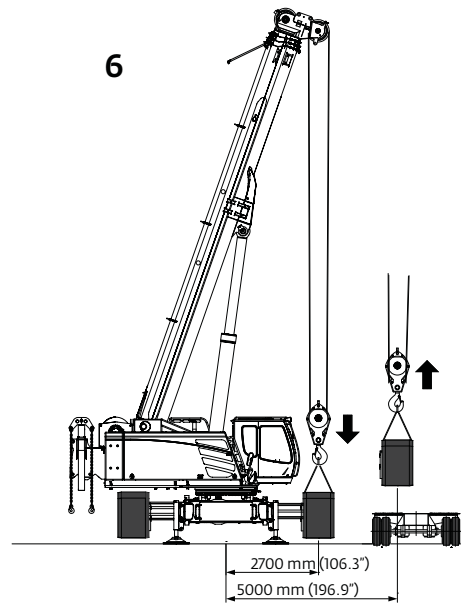
4



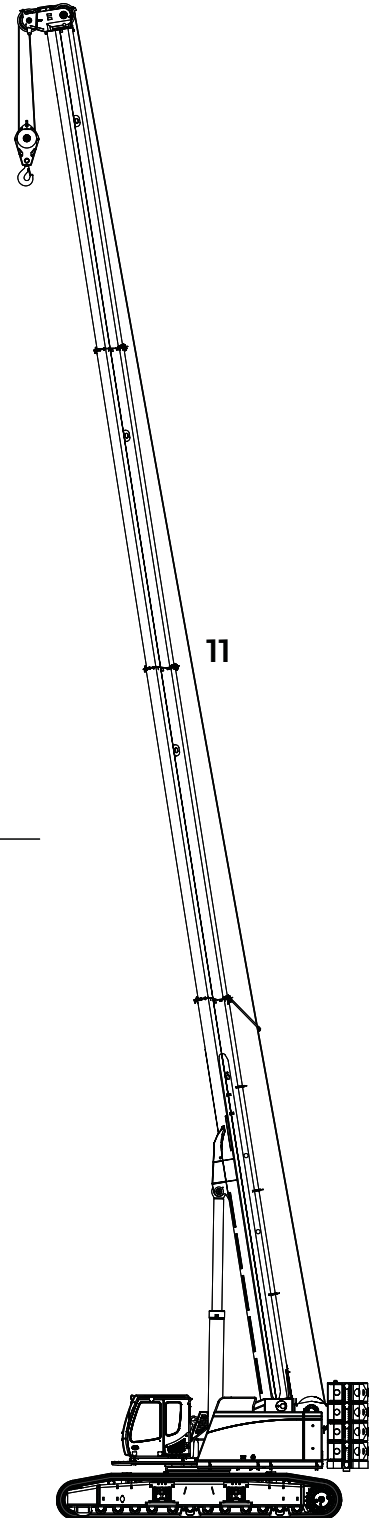
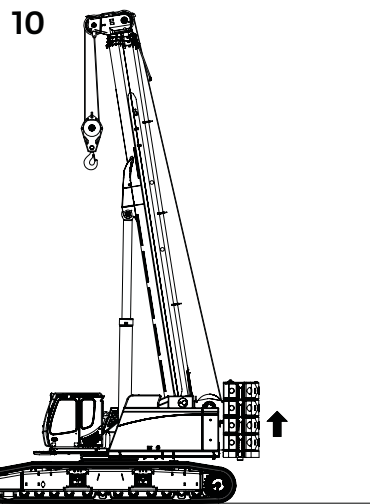
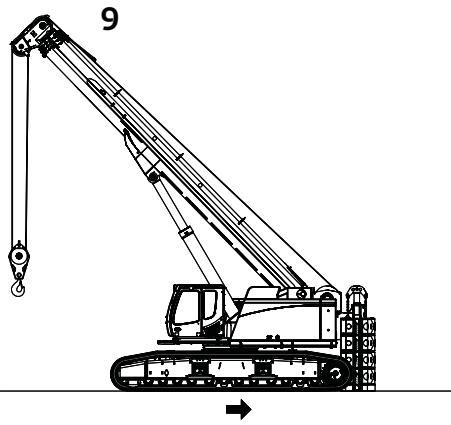
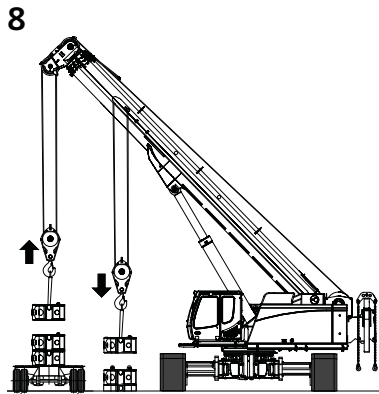
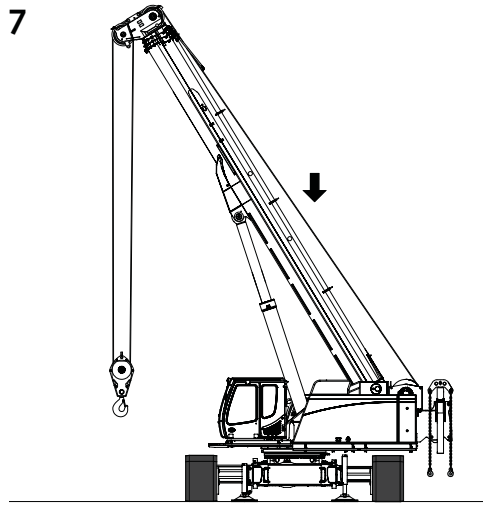
5



6



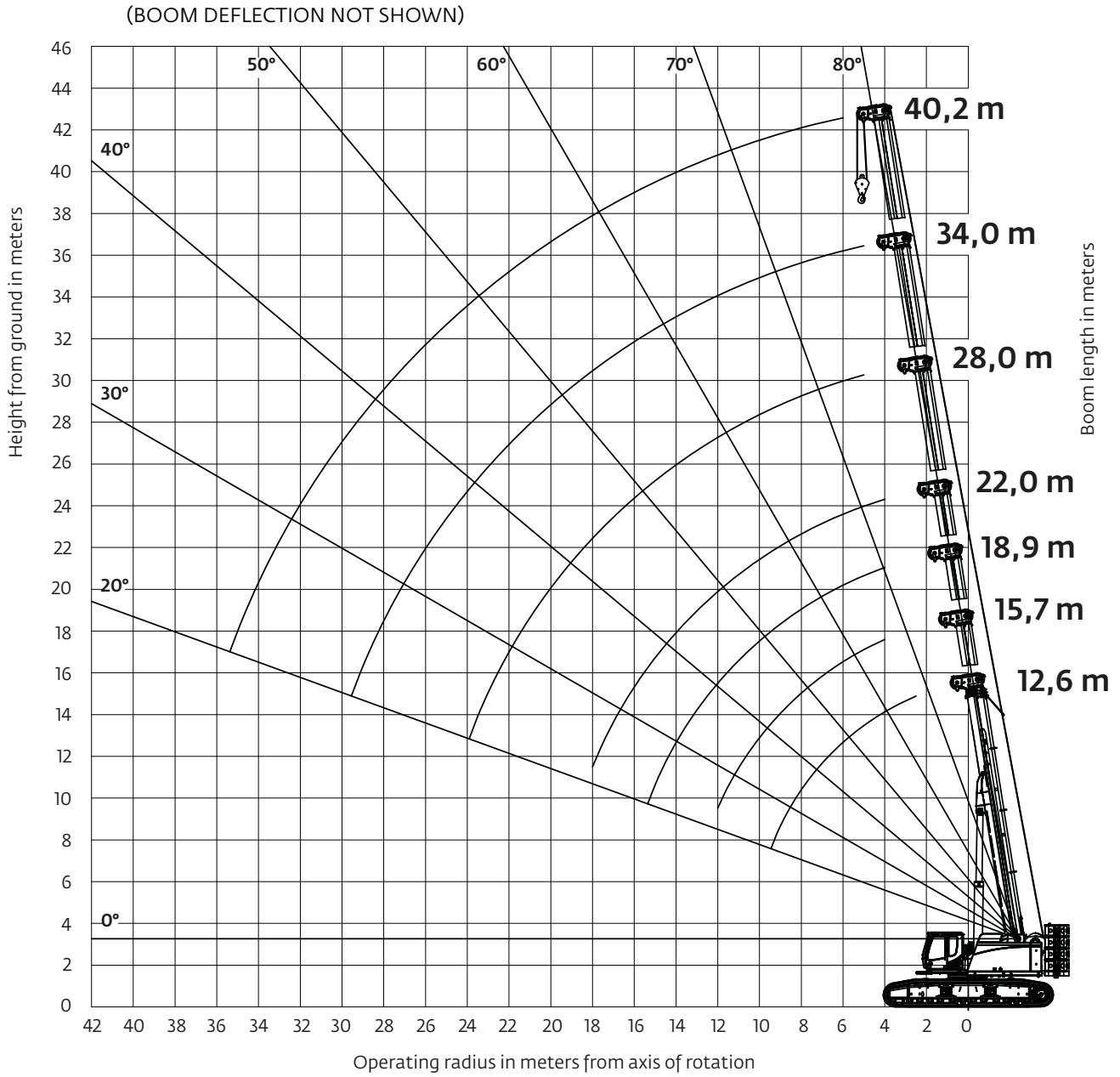
Transportation / assembly



Working range

Main boom – metric 75%

Main boom



THIS CHART IS ONLY A GUIDE AND SHOULD NOT BE USED TO OPERATE THE CRANE.

The individual crane's load chart, operating instructions and other instructional plates must be read and understood prior to operating the crane.

Load chart

Main boom – metric 75%



40,2 m



33 t



100%



360°



Kilograms

Radius in meters	Main boom length in meters						
	12,6	15,7	18,9	22,0	28,0	34,0	40,2
2,5	120 000	—	—	—	—	—	—
3	100 000	—	—	—	—	—	—
4	84 000	69 000	66 000	52 000	—	—	—
5	75 000	69 000	61 400	52 000	37 000	30 000	—
6	70 000	67 000	54 000	48 400	37 000	29 800	21 000
7	60 000	59 000	48 300	43 300	36 200	28 500	21 000
8	52 000	50 000	43 400	38 800	33 700	27 000	20 000
9	45 000	45 000	39 300	35 200	31 000	25 200	19 400
10	40 000	39 900	36 000	32 100	28 200	23 400	18 600
12	—	30 800	30 500	27 100	24 400	20 400	16 600
14	—	—	23 900	23 200	21 100	17 900	14 800
16	—	—	19 300	19 100	18 400	15 900	13 300
18	—	—	—	15 700	16 200	14 300	12 000
20	—	—	—	—	14 000	12 900	10 800
22	—	—	—	—	12 000	11 600	9800
24	—	—	—	—	10 300	10 700	9000
26	—	—	—	—	—	9400	8200
28	—	—	—	—	—	8200	7600
30	—	—	—	—	—	7200	7000
32	—	—	—	—	—	—	6400
34	—	—	—	—	—	—	5700
36	—	—	—	—	—	—	5100
When 8 m extension is in stowed position, the rated loads must be reduced as follows:							
Reduction of load (kg)	538	436	370	321	256	214	185

THIS CHART IS ONLY A GUIDE AND SHOULD NOT BE USED TO OPERATE THE CRANE.

The individual crane's load chart, operating instructions and other instructional plates must be read and understood prior to operating the crane.

Load chart

Auxiliary boom nose – metric 75%



40,2 m



With auxiliary
boom nose



33 t



100%



360°



Kilograms

Radius in meters	Main boom length in meters						
	12,6	15,7	18,9	22,0	28,0	34,0	40,2
3	12 500	12 500	—	—	—	—	—
4	12 500	12 500	12 500	12 500	—	—	—
5	12 500	12 500	12 500	12 500	12 500	12 500	—
6	12 500	12 500	12 500	12 500	12 500	12 300	—
7	12 500	12 500	12 500	12 500	12 500	12 200	11 800
8	12 500	12 500	12 500	12 500	12 500	12 100	11 700
9	12 500	12 500	12 500	12 500	12 400	12 000	11 500
10	12 500	12 500	12 500	12 500	12 300	11 900	11 400
12	—	12 500	12 500	12 500	12 300	11 800	11 300
14	—	—	12 500	12 500	12 300	11 800	11 100
16	—	—	12 500	12 500	12 300	11 700	10 800
18	—	—	—	12 500	12 300	11 700	10 300
20	—	—	—	—	12 300	11 500	9500
22	—	—	—	—	12 100	10 600	8700
24	—	—	—	—	10 400	800	8000
26	—	—	—	—	—	9000	7400
28	—	—	—	—	—	8300	6900
30	—	—	—	—	—	7200	6400
32	—	—	—	—	—	—	5900
34	—	—	—	—	—	—	5500
36	—	—	—	—	—	—	5100
When 8 m extension is in stowed position, the rated loads must be reduced as follows:							
Reduction of load (kg)	538	436	370	321	256	214	185

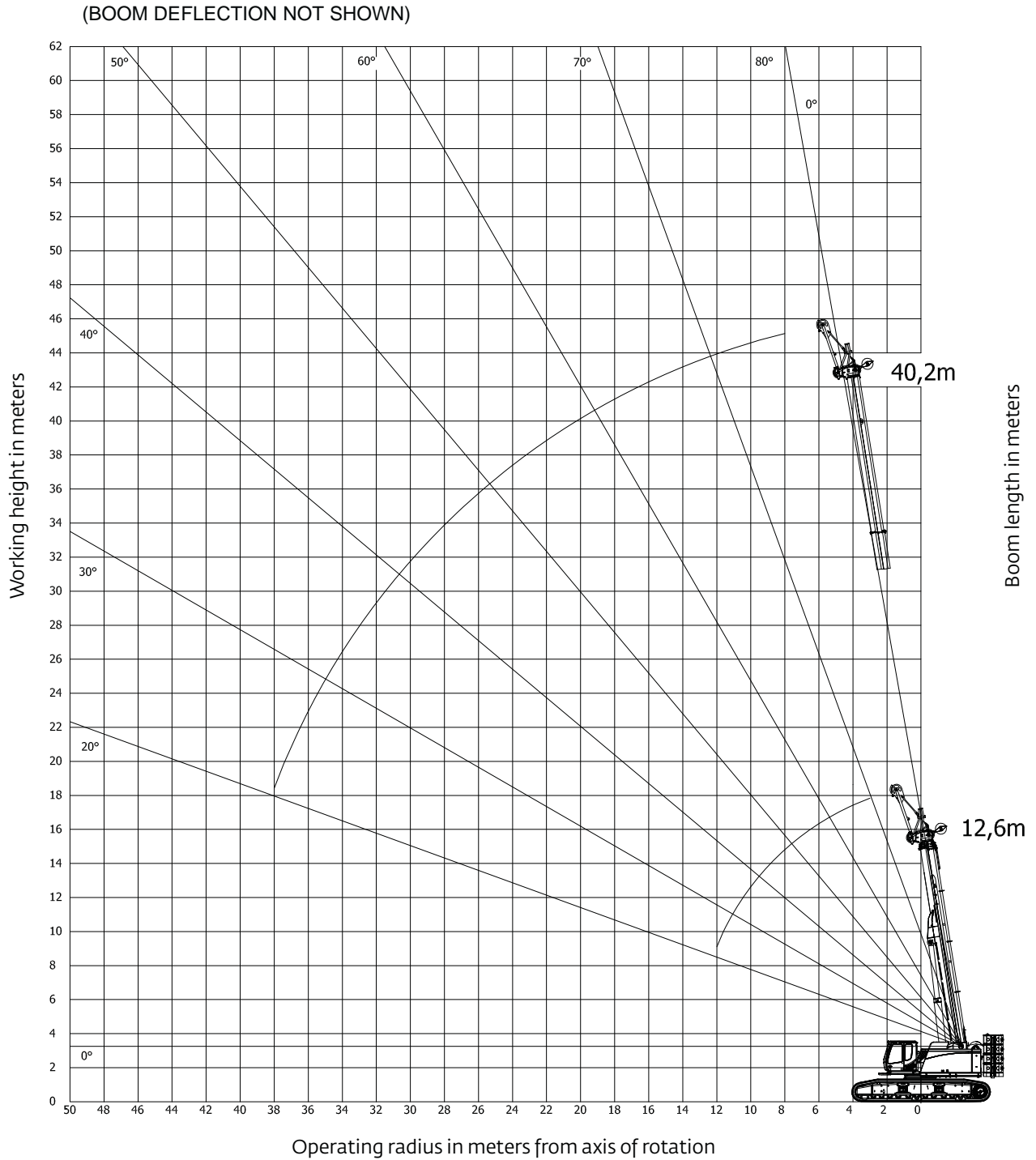
THIS CHART IS ONLY A GUIDE AND SHOULD NOT BE USED TO OPERATE THE CRANE.

The individual crane's load chart, operating instructions and other instructional plates must be read and understood prior to operating the crane.

Working range

Heavy duty jib – metric 75%

Main boom with heavy duty jib



THIS CHART IS ONLY A GUIDE AND SHOULD NOT BE USED TO OPERATE THE CRANE.
 The individual crane's load chart, operating instructions and other instructional plates must be read and understood prior to operating the crane.

Load chart

Heavy duty jib – metric 75%



40,2 m



3 m heavy
duty jib



33 t



100%



360°



Kilograms

Radius in meters	Main boom length in meters				
	12,6	22,0	28,0	34,0	40,2
3	36 000	—	—	—	—
4	35 800	36 000	—	—	—
5	33 600	36 000	26 000	26 000	—
6	31 800	35 100	26 000	24 800	—
7	30 200	33 600	26 000	23 500	18 000
8	28 900	32 400	26 000	22 200	17 000
9	27 900	31 300	25 500	20 900	16 100
10	27 000	29 600	24 900	18 300	14 300
12	26 100	25 600	22 000	16 300	12 800
14	—	22 100	19 400	14 500	11 500
16	—	19 300	17 200	13 000	10 400
18	—	16 100	15 300	11 200	9 400
20	—	13 500	13 600	10 700	8 500
22	—	—	11 900	9 700	7 800
24	—	—	10 200	8 900	7 100
26	—	—	8 800	8 000	6 500
28	—	—	—	6 900	6 000
30	—	—	—	7 200	5 500
32	—	—	—	6 000	5 000
34	—	—	—	—	4 700
36	—	—	—	—	4 000

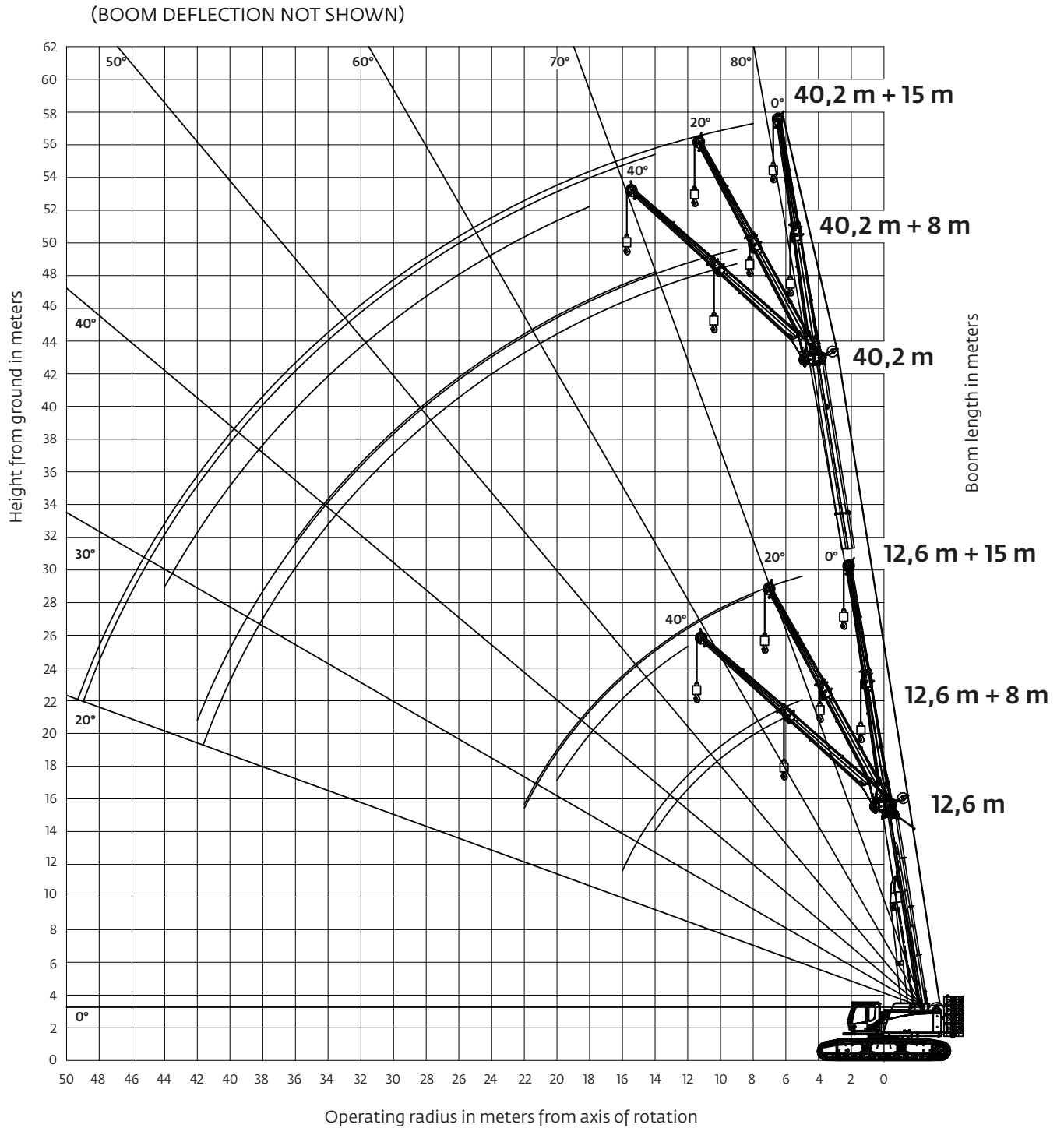
THIS CHART IS ONLY A GUIDE AND SHOULD NOT BE USED TO OPERATE THE CRANE.

The individual crane's load chart, operating instructions and other instructional plates must be read and understood prior to operating the crane.

Working range

Extensions – metric 75%

Main boom with extensions



*THIS CHART IS ONLY A GUIDE AND SHOULD NOT BE USED TO OPERATE THE CRANE.
The individual crane's load chart, operating instructions and other instructional plates must be read and understood prior to operating the crane.*

Load chart

Extensions – metric 75%



40,2 m



8 m



33 t



100%



360°



Kilograms

Radius in meters	Main boom length in meters														
	12,6			22,0			28,0			34,2			40,2		
	0°	20°	40°	0°	20°	40°	0°	20°	40°	0°	20°	40°	0°	20°	40°
5	15 400	10 900		18 000	—	—	17 500	—	—	—	—	—	—	—	—
6	14 000	10 200	8100	16 500	—	—	16 500	—	—	—	—	—	—	—	—
7	12 800	9700	7800	15 500	10 500	—	15 600	10 300	—	14 200	—	—	—	—	—
8	11 800	9200	7500	14 500	10 100	7 800	14 700	10 100	—	13 700	—	—	—	—	—
9	10 900	8700	7200	13 600	9700	7600	14 000	9800	7600	13 100	9500	—	11 800	—	—
10	10 200	8300	6900	12 800	9300	7400	13 300	9500	7400	12 600	9300	7300	11 400	—	—
12	9000	7500	6400	11 500	8700	7000	12 100	8900	7100	11 700	8800	7000	10 800	8400	—
14	8000	7100	6100	10 400	8200	6600	11 000	8400	6700	10 900	8300	6700	10 200	8000	6500
16	7200	6700	—	9500	7700	6300	10 200	8000	6500	10 200	8000	6400	9600	7700	6300
18	—	—	—	8700	7300	6100	9 500	7600	6300	9500	7600	6200	9100	7400	6100
20	—	—	—	8100	7000	5900	8800	7300	6000	9000	7300	6000	8500	7100	5900
22	—	—	—	7500	6700	—	8200	7000	5800	8400	7000	5800	8000	6900	5800
24	—	—	—	7000	6500	—	7700	6700	5700	8000	6800	5700	7400	6600	5600
26	—	—	—	—	—	—	7300	6500	5600	7500	6600	5500	6800	6400	5500
28	—	—	—	—	—	—	6900	6400	—	7200	6400	5400	6300	6200	5300
30	—	—	—	—	—	—	6600	6200	—	6800	6200	5300	5800	5800	5200
32	—	—	—	—	—	—	6400	—	—	6500	6100	—	5400	5500	5200
34	—	—	—	—	—	—	—	—	—	5900	6000	—	5000	5100	5100
36	—	—	—	—	—	—	—	—	—	5200	5400	—	4700	4700	4800
38	—	—	—	—	—	—	—	—	—	4600	—	—	4300	4400	—
40	—	—	—	—	—	—	—	—	—	—	—	—	4000	4100	—
42	—	—	—	—	—	—	—	—	—	—	—	—	3600	3700	—
44	—	—	—	—	—	—	—	—	—	—	—	—	3200	—	—

THIS CHART IS ONLY A GUIDE AND SHOULD NOT BE USED TO OPERATE THE CRANE.

The individual crane's load chart, operating instructions and other instructional plates must be read and understood prior to operating the crane.

Load chart

Extensions – metric 75%



40,2 m



15 m



33 t



100%



360°



Kilograms

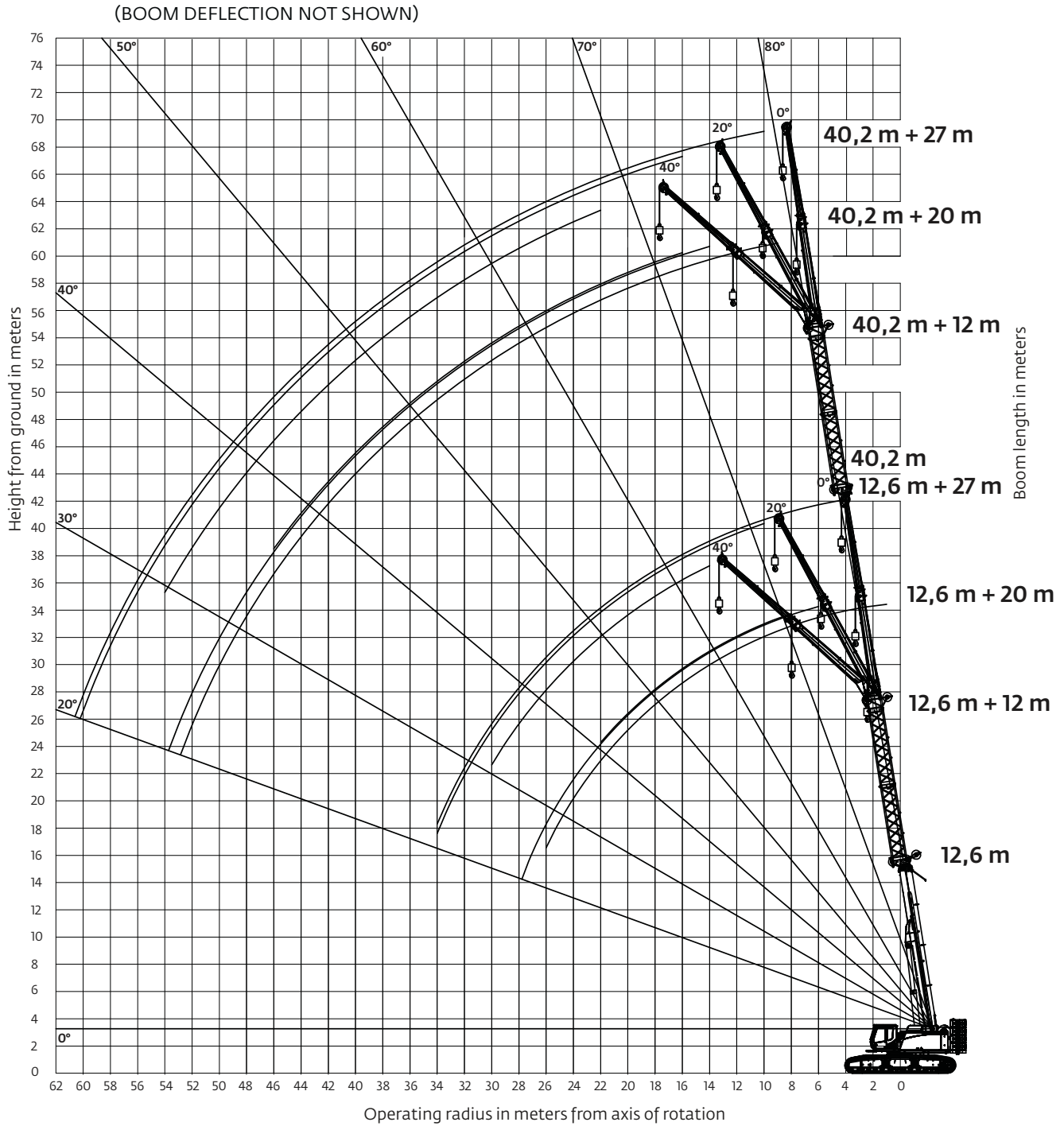
Radius in meters	Main boom length in meters														
	12,6			22,0			28,0			34,2			40,2		
	0°	20°	40°	0°	20°	40°	0°	20°	40°	0°	20°	40°	0°	20°	40°
5	6000	—	—	6000	—	—	—	—	—	—	—	—	—	—	—
6	5800	—	—	5800	—	—	5800	—	—	5300	—	—	—	—	—
7	5600	—	—	5700	—	—	5600	—	—	5200	—	—	—	—	—
8	5400	—	—	5600	—	—	5400	—	—	5100	—	—	4700	—	—
9	5100	4100	—	5500	—	—	5300	—	—	5000	—	—	4700	—	—
10	4800	4000	—	5300	4000	—	5200	—	—	4900	—	—	4600	—	—
12	4400	3600	3100	5000	3900	—	5000	4000	—	4800	—	—	4500	—	—
14	4000	3400	2900	4700	3700	3100	4800	3800	3100	4600	3800	—	4300	—	—
16	3600	3200	2800	4300	3500	3000	4600	3600	3000	4400	3600	3000	4200	3500	—
18	3300	3000	2700	4000	3300	2900	4300	3400	2900	4300	3400	2900	4100	3400	2800
20	3100	2800	2600	3700	3200	2800	4000	3300	2800	4100	3300	2800	4000	3200	2700
22	2900	2700	—	3500	3000	2700	3800	3100	2700	3900	3200	2700	3800	3100	2600
24	—	—	—	3300	2900	2600	3600	3000	2700	3700	3100	2700	3700	3000	2500
26	—	—	—	3100	2800	2600	3400	2900	2600	3500	2900	2600	3500	2900	2500
28	—	—	—	2900	2700	2500	3200	2800	2500	3300	2900	2500	3400	2800	2500
30	—	—	—	2800	2600	—	3100	2700	2500	3200	2800	2500	3200	2700	2500
32	—	—	—	—	—	—	2900	2700	2400	3100	2700	2400	3100	2700	2400
34	—	—	—	—	—	—	2800	2600	—	2900	2600	2400	3000	2600	2400
36	—	—	—	—	—	—	2700	2600	—	2800	2600	2400	2900	2600	2300
38	—	—	—	—	—	—	2600	2500	—	2700	2500	2300	2800	2500	2300
40	—	—	—	—	—	—	—	—	—	2600	2500	—	2700	2500	2300
42	—	—	—	—	—	—	—	—	—	2500	2500	—	2600	2400	2200
44	—	—	—	—	—	—	—	—	—	—	—	—	2500	2400	2200
46	—	—	—	—	—	—	—	—	—	—	—	—	2400	2400	—
48	—	—	—	—	—	—	—	—	—	—	—	—	2400	2400	—
50	—	—	—	—	—	—	—	—	—	—	—	—	2400	2400	—

THIS CHART IS ONLY A GUIDE AND SHOULD NOT BE USED TO OPERATE THE CRANE.
The individual crane's load chart, operating instructions and other instructional plates must be read and understood prior to operating the crane.

Working Range

Main boom with inserts and extensions – metric 75%

Main boom with inserts and extensions



THIS CHART IS ONLY A GUIDE AND SHOULD NOT BE USED TO OPERATE THE CRANE.

The individual crane's load chart, operating instructions and other instructional plates must be read and understood prior to operating the crane.

Load chart

Main boom with inserts and extensions – metric 75%



40,2 m



12 m



15 m



33 t



100%



360°



Kilograms

Radius in meters	Main boom length in meters														
	12,6			22,0			28,0			34,2			40,2		
	0°	20°	40°	0°	20°	40°	0°	20°	40°	0°	20°	40°	0°	20°	40°
4	5000	—	—	—	—	—	—	—	—	—	—	—	—	—	—
5	5000	—	—	—	—	—	—	—	—	—	—	—	—	—	—
6	5000	—	—	4500	—	—	4300	—	—	—	—	—	—	—	—
7	5000	—	—	4500	—	—	4300	—	—	—	—	—	—	—	—
8	5000	—	—	4500	—	—	4300	—	—	3800	—	—	—	—	—
9	5000	—	—	4500	—	—	4300	—	—	3800	—	—	—	—	—
10	4900	3200	—	4500	—	—	4300	—	—	3800	—	—	2500	—	—
12	4700	3200	—	4500	3100	—	4300	—	—	3800	—	—	2500	—	—
14	4500	3200	2600	4500	3100	—	4200	3000	—	3800	2900	—	2500	—	—
16	4300	3200	2600	4300	3100	2500	4100	3000	—	3800	2900	—	2500	2500	—
18	4000	3200	2600	4200	3100	2500	4000	3000	2500	3700	2900	—	2500	2500	—
20	3600	3000	2600	4000	3100	2500	3900	3000	2500	3600	2900	2600	2500	2500	—
22	3300	2900	2600	3800	3100	2500	3700	3000	2500	3500	2900	2500	2500	2500	2400
24	3100	2800	2500	3600	3000	2500	3600	3000	2500	3400	2900	2400	2500	2500	2300
26	2800	2600	2400	3300	2800	2500	3400	2900	2500	3300	2800	2400	2500	2500	2300
28	2600	2400	2400	3100	2700	2400	3200	2800	2400	3100	2800	2400	2500	2500	2300
30	2400	2300	2300	2900	2600	2400	3000	2700	2300	3000	2700	2300	2500	2500	2200
32	2200	2100	—	2700	2500	2300	2800	2600	2300	2900	2600	2300	2500	2500	2200
34	2100	2000	—	2600	2300	2300	2600	2500	2300	2700	2500	2200	2500	2500	2100
36	—	—	—	2400	2200	2200	2500	2400	2300	2600	2400	2200	2500	2400	2100
38	—	—	—	2300	2100	2100	2400	2200	2200	2500	2300	2100	2500	2300	2100
40	—	—	—	2100	2000	—	2200	2100	2100	2300	2200	2100	2400	2300	2100
42	—	—	—	2000	1900	—	2100	2000	2000	2200	2100	2100	2300	2200	2000
44	—	—	—	—	1800	—	2000	2000	—	2100	2000	2000	2200	2100	2000
46	—	—	—	—	—	—	1900	1900	—	2000	2000	2000	2100	2000	2000
48	—	—	—	—	—	—	1800	1800	—	1900	1900	1900	2000	2000	2000
50	—	—	—	—	—	—	—	1700	—	1900	1800	—	1800	1900	1900
52	—	—	—	—	—	—	—	—	—	1800	1800	—	1700	1800	1800
54	—	—	—	—	—	—	—	—	—	1700	1700	—	1500	1600	1700
56	—	—	—	—	—	—	—	—	—	—	1700	—	1400	1500	—
58	—	—	—	—	—	—	—	—	—	—	—	—	1200	1300	—
60	—	—	—	—	—	—	—	—	—	—	—	—	1100	1200	—
62	—	—	—	—	—	—	—	—	—	—	—	—	900	1000	—

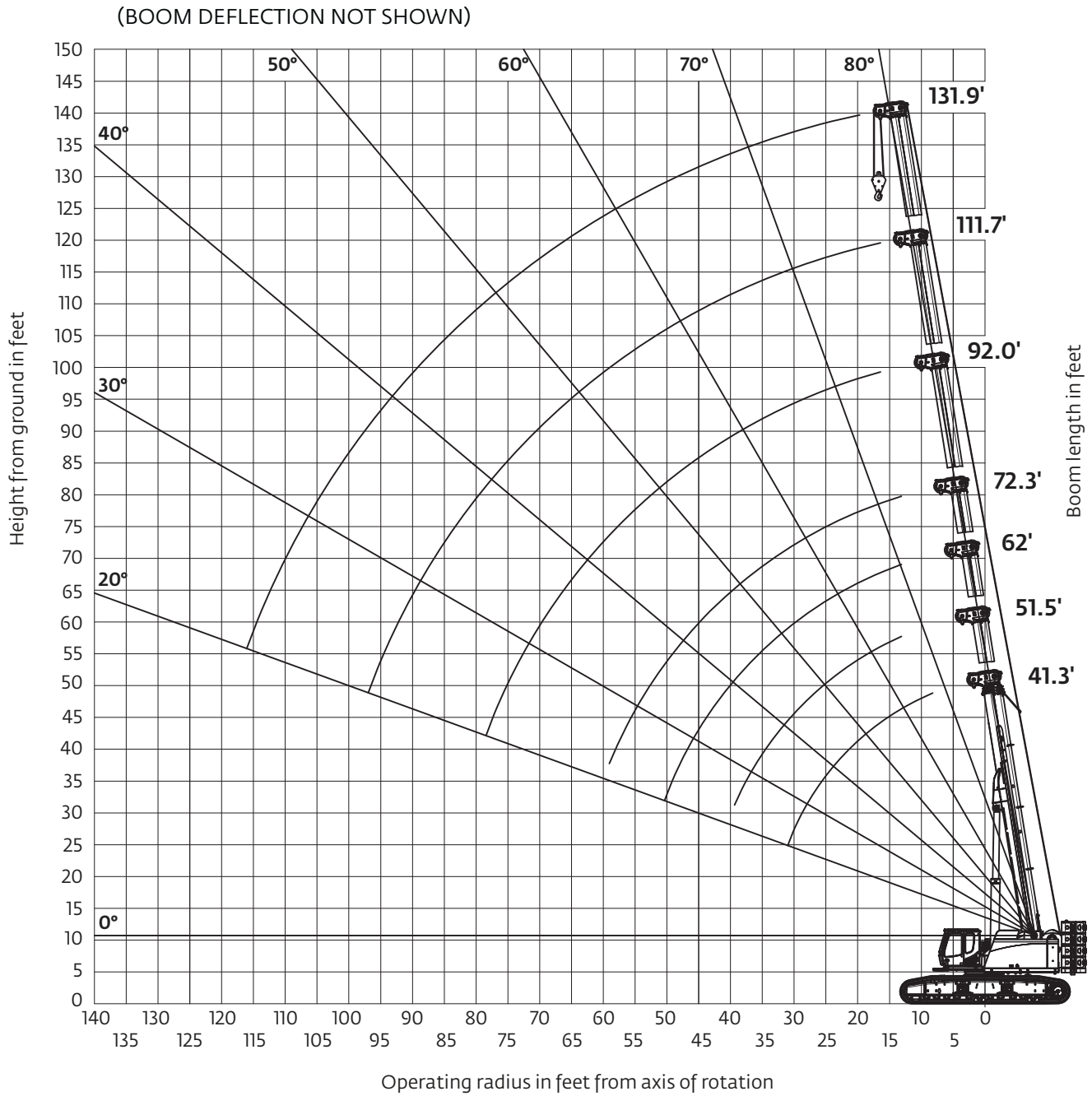
THIS CHART IS ONLY A GUIDE AND SHOULD NOT BE USED TO OPERATE THE CRANE.

The individual crane's load chart, operating instructions and other instructional plates must be read and understood prior to operating the crane.

Working Range

Main boom – imperial 75%

Main boom



THIS CHART IS ONLY A GUIDE AND SHOULD NOT BE USED TO OPERATE THE CRANE.
The individual crane's load chart, operating instructions and other instructional plates must be read and understood prior to operating the crane.

Load Chart

Main boom – imperial 75%



131 ft 11 in



73,458 lb



100%



360°



Pounds

Radius in feet	Main boom length in feet						
	41.3	51.5	62.0	72.3	92.0	111.7	131.9
8	264,800	—	—	—	—	—	—
10	218,900	—	—	—	—	—	—
15	174,000	152,200	139,800	114,700	—	—	—
20	152,300	146,100	117,900	105,700	81,500	65,500	46,300
25	121,400	117,900	99,900	89,400	76,500	60,800	45,000
30	97,700	97,700	85,700	76,700	67,500	55,000	42,500
35	—	81,300	75,400	67,100	59,400	49,400	39,600
40	—	—	65,900	59,000	53,100	44,500	36,200
45	—	—	54,800	52,400	47,600	40,300	33,200
50	—	—	46,400	45,600	42,900	36,800	30,600
55	—	—	—	39,300	38,700	33,700	28,200
60	—	—	—	—	35,000	31,100	26,100
65	—	—	—	—	31,300	28,800	24,100
70	—	—	—	—	27,900	26,500	22,400
75	—	—	—	—	24,900	24,700	20,900
80	—	—	—	—	—	23,100	19,500
85	—	—	—	—	—	20,900	18,200
90	—	—	—	—	—	18,800	17,100
95	—	—	—	—	—	17,000	16,100
100	—	—	—	—	—	—	15,100
105	—	—	—	—	—	—	14,100
110	—	—	—	—	—	—	12,900
115	—	—	—	—	—	—	11,900
When 26.2' extension is in stowed position, the rated loads must be reduced as follows:							
Reduction of load (lb)	1187	962	816	707	565	471	407

THIS CHART IS ONLY A GUIDE AND SHOULD NOT BE USED TO OPERATE THE CRANE.

The individual crane's load chart, operating instructions and other instructional plates must be read and understood prior to operating the crane.

Load chart

Auxiliary boom nose – imperial 75%



131 ft 11 in



With auxiliary boom nose



73,458 lb



100%



360°



Pounds

Radius in feet	Main boom length in feet						
	41.3	51.5	62.0	72.3	92.0	111.7	131.9
10	27,600	27,600	—	—	—	—	—
15	27,600	27,600	27,600	27,600	—	—	—
20	27,600	27,600	27,600	27,600	27,600	27,100	—
25	27,600	27,600	27,600	27,600	27,600	26,800	25,900
30	27,600	27,600	27,600	27,600	27,300	26,400	25,300
35	—	27,600	27,600	27,600	27,100	26,200	25,100
40	—	—	27,600	27,600	27,100	26,000	24,900
45	—	—	27,600	27,600	27,100	26,000	24,600
50	—	—	27,600	27,600	27,100	25,900	24,100
55	—	—	—	27,600	27,100	25,800	23,400
60	—	—	—	—	27,100	25,800	22,500
65	—	—	—	—	27,100	25,400	21,100
70	—	—	—	—	26,800	24,000	19,800
75	—	—	—	—	25,100	22,600	18,500
80	—	—	—	—	—	21,300	17,400
85	—	—	—	—	—	19,900	16,400
90	—	—	—	—	—	18,800	15,500
95	—	—	—	—	—	17,200	14,700
100	—	—	—	—	—	—	13,900
105	—	—	—	—	—	—	13,000
110	—	—	—	—	—	—	12,300
115	—	—	—	—	—	—	11,700
When 26.2' extension is in stowed position, the rated loads must be reduced as follows:							
Reduction of load (lb)	1187	962	816	707	585	471	407

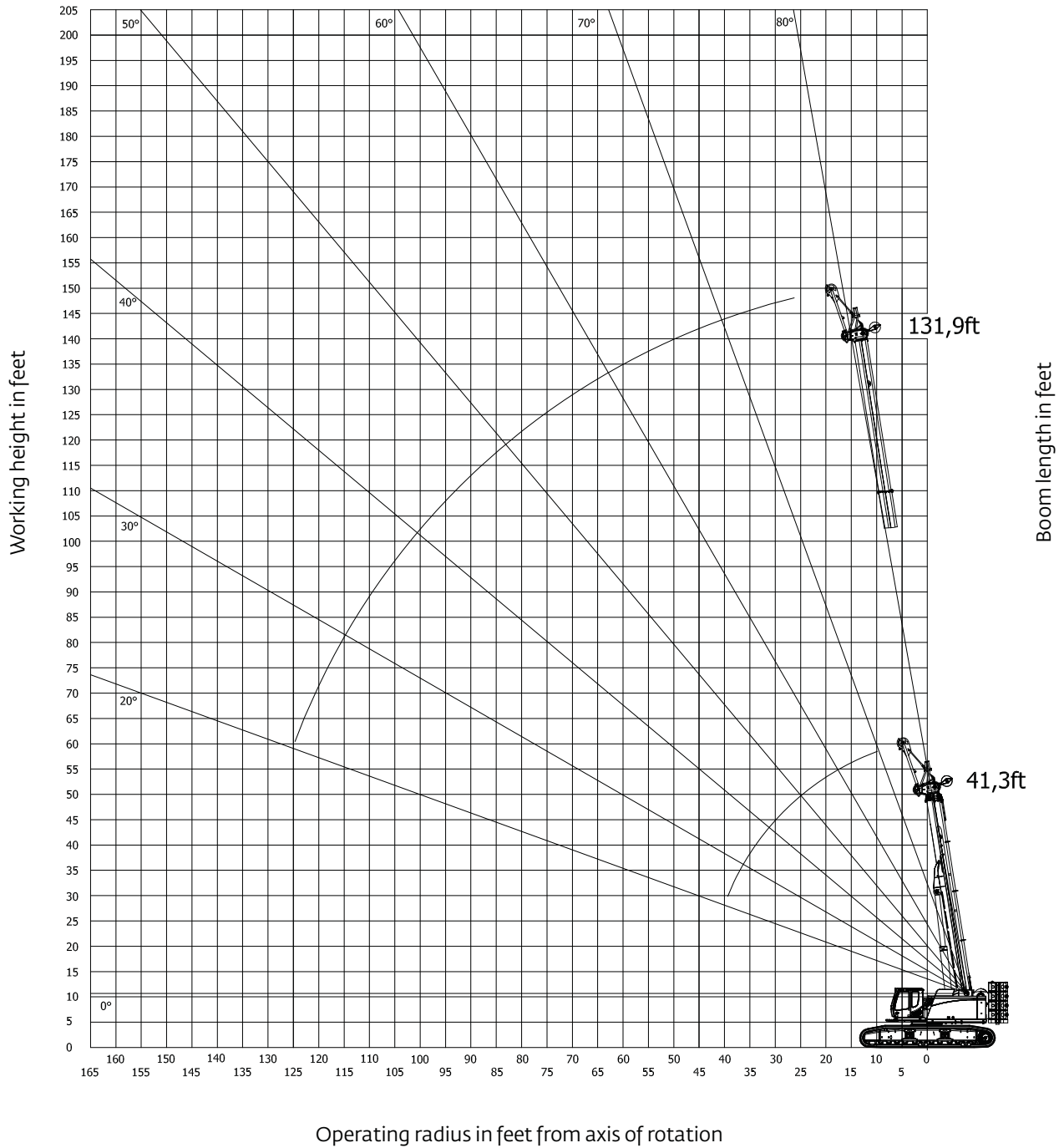
*THIS CHART IS ONLY A GUIDE AND SHOULD NOT BE USED TO OPERATE THE CRANE.
The individual crane's load chart, operating instructions and other instructional plates must be read and understood prior to operating the crane.*

Working range

Heavy duty jib – imperial 75%

Main boom with heavy duty jib

(BOOM DEFLECTION NOT SHOWN)



*THIS CHART IS ONLY A GUIDE AND SHOULD NOT BE USED TO OPERATE THE CRANE.
The individual crane's load chart, operating instructions and other instructional plates must be read and understood prior to operating the crane.*

Load chart

Heavy duty jib – imperial 75%



131 ft 11 in



10 ft heavy duty jib



73,458 lb



100%



360°



Pounds

Radius in feet	Main boom length in feet				
	41.3	72.3	92.0	111.7	131.9
10	79,300	—	—	—	—
15	76,200	79,400	—	—	—
20	69,800	77,100	57,300	57,100	—
25	64,800	72,400	57,300	52,900	—
30	61,200	68,500	56,000	48,500	37,200
35	58,900	62,300	52,800	44,200	34,200
40	—	55,700	48,000	39,900	31,200
45	—	49,800	43,600	36,600	28,700
50	—	44,900	39,800	33,500	26,400
55	—	39,900	36,300	30,700	24,400
60	—	34,700	33,200	28,100	22,600
65	—	30,300	30,300	25,100	20,900
70	—	—	27,500	24,000	19,400
75	—	—	24,600	22,600	18,100
80	—	—	21,900	21,000	16,900
85	—	—	19,500	19,700	15,700
90	—	—	—	18,200	14,700
95	—	—	—	16,500	13,800
100	—	—	—	14,700	13,000
105	—	—	—	—	12,100
110	—	—	—	—	11,300
115	—	—	—	—	10,700
120	—	—	—	—	9900

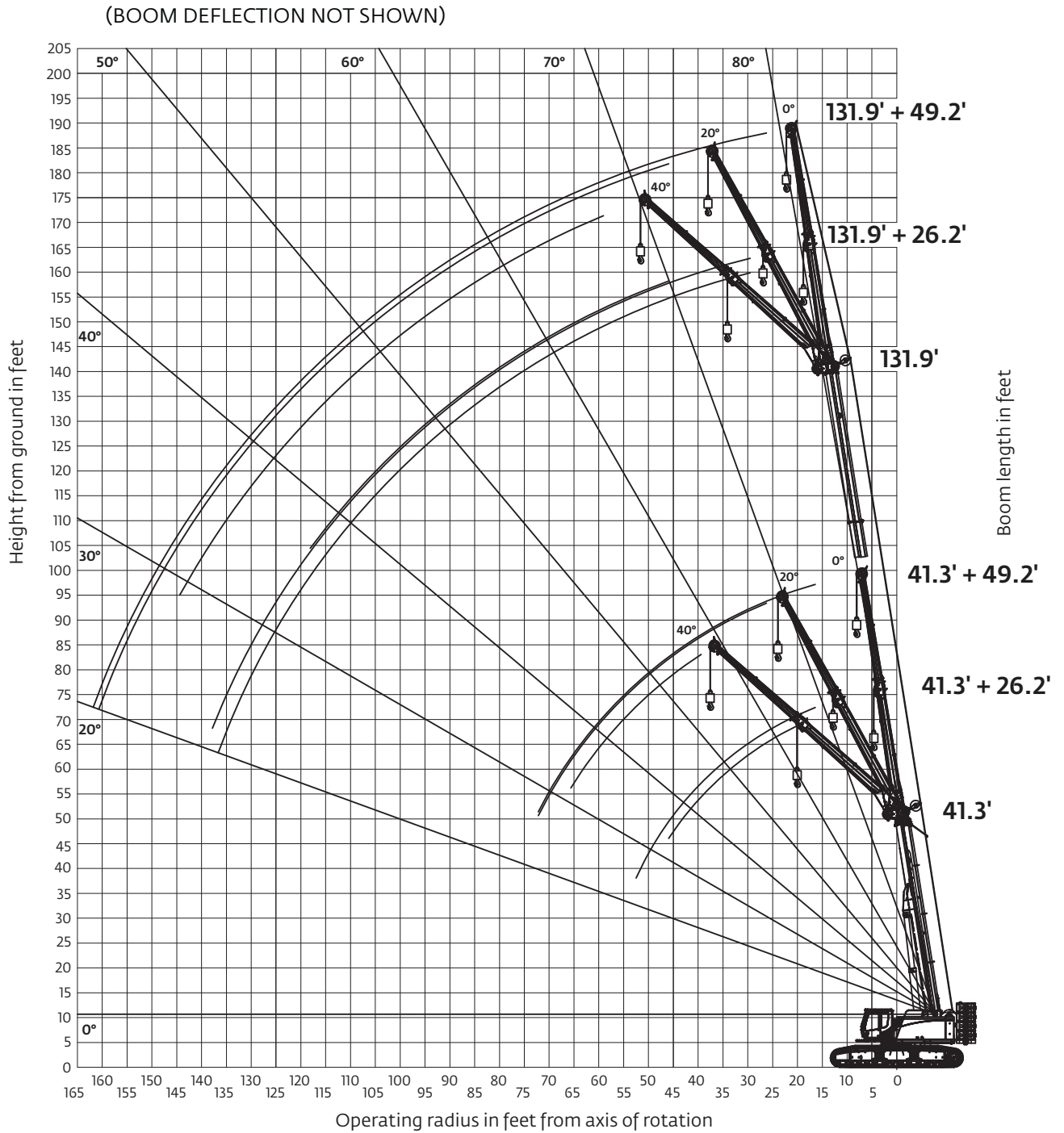
THIS CHART IS ONLY A GUIDE AND SHOULD NOT BE USED TO OPERATE THE CRANE.

The individual crane's load chart, operating instructions and other instructional plates must be read and understood prior to operating the crane.

Working range

Extensions – imperial 75%

Main boom with extensions



*THIS CHART IS ONLY A GUIDE AND SHOULD NOT BE USED TO OPERATE THE CRANE.
The individual crane's load chart, operating instructions and other instructional plates must be read and understood prior to operating the crane.*

Load chart

Extensions – imperial 75%



131 ft 11 in



26 ft 3 in



73,458 lb



100%



360°



Pounds

Radius in feet	Main boom length in feet														
	41.3			72.3			92.0			111.7			131.9		
	0°	20°	40°	0°	20°	40°	0°	20°	40°	0°	20°	40°	0°	20°	40°
17	34,000	24,000	—	39,700	—	—	38,600	—	—	—	—	—	—	—	—
20	30,600	22,400	17,800	36,200	—	—	36,200	—	—	—	—	—	—	—	—
25	26,900	20,700	16,800	32,800	22,600	—	33,200	22,500	—	30,600	—	—	—	—	—
30	23,800	19,100	15,800	29,800	21,300	16,700	30,700	21,500	16,700	28,700	20,900	—	25,900	—	—
35	21,600	17,700	14,900	27,300	20,100	16,000	28,500	20,500	16,100	27,100	20,200	15,900	24,700	—	—
40	19,600	16,500	14,100	25,100	19,100	15,400	26,500	19,500	15,600	25,600	19,300	15,400	23,700	18,400	—
45	18,000	15,800	13,600	23,300	18,200	14,700	24,600	18,700	14,900	24,300	18,500	14,900	22,700	17,800	—
50	16,600	15,100	—	21,700	17,400	14,200	23,200	18,000	14,500	23,100	17,900	14,400	21,700	17,200	14,100
55	—	—	—	20,300	16,700	13,700	21,900	17,300	14,200	21,900	17,300	14,000	20,800	16,700	13,700
60	—	—	—	19,000	16,000	13,400	20,700	16,700	13,800	20,800	16,700	13,600	19,900	16,200	13,400
65	—	—	—	18,000	15,500	13,100	19,600	16,200	13,300	20,000	16,200	13,300	18,900	15,700	13,100
70	—	—	—	17,000	15,000	—	18,500	15,700	12,900	19,000	15,700	12,900	18,000	15,400	12,900
75	—	—	—	16,100	14,600	—	17,600	15,200	12,700	18,200	15,300	12,700	17,100	14,900	12,600
80	—	—	—	—	—	—	16,800	14,700	12,500	17,400	14,900	12,500	16,100	14,500	12,300
85	—	—	—	—	—	—	16,100	14,400	12,400	16,600	14,600	12,200	15,100	14,100	12,100
90	—	—	—	—	—	—	15,500	14,200	—	16,100	14,200	12,000	14,200	13,800	11,800
95	—	—	—	—	—	—	14,900	13,900	—	15,500	13,900	11,800	13,400	13,300	11,600
100	—	—	—	—	—	—	14,500	—	—	14,800	13,600	—	12,600	12,600	11,500
105	—	—	—	—	—	—	—	—	—	14,300	13,500	—	11,900	12,100	11,500
110	—	—	—	—	—	—	—	—	—	13,300	13,300	—	11,200	11,500	11,300
115	—	—	—	—	—	—	—	—	—	12,200	12,500	—	10,700	10,800	10,900
120	—	—	—	—	—	—	—	—	—	11,100	—	—	10,100	10,200	—
125	—	—	—	—	—	—	—	—	—	—	—	—	9500	9700	—
130	—	—	—	—	—	—	—	—	—	—	—	—	9000	9200	—
135	—	—	—	—	—	—	—	—	—	—	—	—	8300	8500	—

THIS CHART IS ONLY A GUIDE AND SHOULD NOT BE USED TO OPERATE THE CRANE.

The individual crane's load chart, operating instructions and other instructional plates must be read and understood prior to operating the crane.

Load chart

Extensions – imperial 75%



131 ft 11 in



49 ft 3 in



73,458 lb



100%



360°



Pounds

Radius in feet	Main boom length in feet														
	41.3			72.3			92.0			111.7			131.9		
	0°	20°	40°	0°	20°	40°	0°	20°	40°	0°	20°	40°	0°	20°	40°
17	12,800	—	—	12,800	—	—	—	—	—	—	—	—	—	—	—
20	12,800	—	—	12,800	—	—	12,800	—	—	11,700	—	—	—	—	—
25	12,100	—	—	12,400	—	—	12,100	—	—	11,300	—	—	—	—	—
30	11,200	9000	—	12,100	—	—	11,700	—	—	11,000	—	—	10,300	—	—
35	10,300	8500	—	11,500	8800	—	11,300	—	—	10,700	—	—	10,100	—	—
40	9600	7900	6800	11,000	8600	—	11,000	8800	—	10,500	—	—	9900	—	—
45	9000	7600	6500	10,500	8200	—	10,700	8400	—	10,200	—	—	9600	—	—
50	8300	7200	6300	9800	7900	6700	10,300	8100	6700	9900	8100	—	9400	—	—
55	7700	6900	6100	9200	7600	6500	9900	7800	6500	9600	7800	6500	9200	7600	—
60	7200	6600	5900	8700	7200	6400	9400	7500	6400	9400	7500	6400	9000	7400	6100
65	6900	6200	5800	8200	7100	6200	8900	7300	6200	9100	7300	6200	8800	7100	6000
70	6500	6000	—	7900	6800	6000	8500	7000	6000	8800	7100	6000	8500	6900	5800
75	—	—	—	7500	6500	5900	8200	6700	6000	8400	7000	6000	8300	6700	5600
80	—	—	—	7200	6400	5700	7900	6600	5900	8100	6800	5900	8100	6600	5500
85	—	—	—	6900	6200	5700	7500	6400	5700	7700	6400	5700	7700	6400	5500
90	—	—	—	6500	6000	5600	7200	6200	5600	7400	6400	5600	7600	6200	5500
95	—	—	—	6300	5900	—	7000	6100	5500	7200	6300	5500	7300	6100	5500
100	—	—	—	—	—	—	6700	6000	5500	7000	6100	5500	7000	6000	5500
105	—	—	—	—	—	—	6400	6000	—	6800	6000	5300	6800	6000	5300
110	—	—	—	—	—	—	6200	5800	—	6500	5800	5300	6700	5800	5300
115	—	—	—	—	—	—	6100	5700	—	6300	5700	5300	6500	5700	5200
120	—	—	—	—	—	—	5900	5700	—	6100	5700	5200	6300	5700	5100
125	—	—	—	—	—	—	—	—	—	5900	5500	—	6200	5500	5100
130	—	—	—	—	—	—	—	—	—	5800	5500	—	6000	5500	5100
135	—	—	—	—	—	—	—	—	—	5600	5500	—	5800	5400	4900
140	—	—	—	—	—	—	—	—	—	—	—	—	5700	5300	4900
145	—	—	—	—	—	—	—	—	—	—	—	—	5500	5300	—
150	—	—	—	—	—	—	—	—	—	—	—	—	5300	5300	—
155	—	—	—	—	—	—	—	—	—	—	—	—	5300	5300	—
160	—	—	—	—	—	—	—	—	—	—	—	—	5300	5300	—

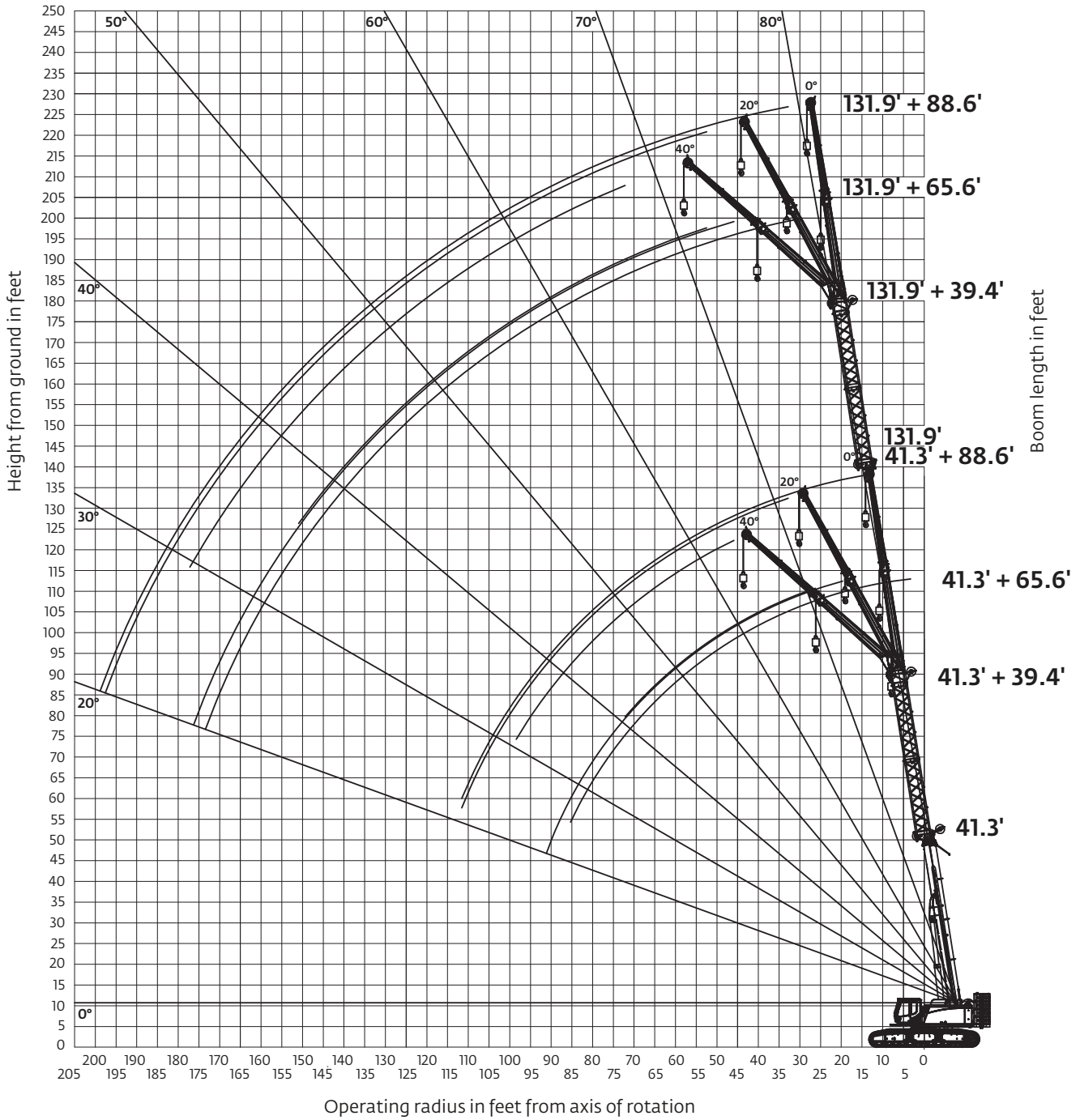
THIS CHART IS ONLY A GUIDE AND SHOULD NOT BE USED TO OPERATE THE CRANE.
The individual crane's load chart, operating instructions and other instructional plates must be read and understood prior to operating the crane.

Working Range

Main boom with inserts and extensions – imperial 75%

Main boom with inserts and extensions

(BOOM DEFLECTION NOT SHOWN)



THIS CHART IS ONLY A GUIDE AND SHOULD NOT BE USED TO OPERATE THE CRANE.

The individual crane's load chart, operating instructions and other instructional plates must be read and understood prior to operating the crane.

Load Chart

Main boom with inserts and extensions – imperial 75%



131 ft 11 in



39 ft 4 in



49 ft 3 in



73,458 lb



100%



360°



Pounds

Radius in feet	Main boom length in feet														
	41.3			72.3			92.0			111.7			131.9		
	0°	20°	40°	0°	20°	40°	0°	20°	40°	0°	20°	40°	0°	20°	40°
14	11,000	—	—	—	—	—	—	—	—	—	—	—	—	—	—
15	11,000	—	—	—	—	—	—	—	—	—	—	—	—	—	—
20	11,000	—	—	—	—	—	—	—	—	—	—	—	—	—	—
25	11,000	—	—	9900	—	—	—	—	—	—	—	—	—	—	—
30	11,000	—	—	9900	—	—	—	—	—	—	—	—	—	—	—
35	10,600	7100	—	9900	—	—	9500	—	—	8400	—	—	—	—	—
40	10,300	7100	—	9900	—	—	9500	—	—	8400	—	—	5500	—	—
45	10,000	7100	—	9900	—	—	9500	—	—	8400	—	—	5500	—	—
50	9600	7100	5700	9900	6800	—	9500	—	—	8400	—	—	5500	—	—
55	9200	7100	5700	9800	6800	—	9400	6600	—	8400	6400	—	5500	—	—
60	8700	7000	5700	9500	6800	5500	9200	6600	—	8400	6400	—	5500	5500	—
65	8000	6700	5700	9400	6800	5500	9000	6600	—	8200	6400	—	5500	5500	—
70	7600	6500	5700	9100	6800	5500	8800	6600	5500	8000	6400	—	5500	5500	—
75	7100	6300	5600	8700	6800	5500	8700	6600	5500	7800	6400	5600	5500	5500	—
80	6700	6100	5500	8300	6800	5500	8400	6600	5500	7700	6400	5500	5500	5500	5300
85	6200	5800	5300	7900	6600	5500	8100	6600	5500	7500	6400	5300	5500	5500	5100
90	5900	5400	5300	7500	6300	5500	8000	6500	5500	7300	6200	5300	5500	5500	5100
95	5500	5200	5200	7100	6100	5400	7600	6300	5400	7100	6200	5300	5500	5500	5100
100	5200	5000	—	6700	5900	5300	7300	6100	5200	6800	6100	5200	5500	5500	5000
105	4900	4600	—	6400	5700	5300	7000	6000	5100	6600	6000	5100	5500	5500	4900
110	4700	4500	—	6100	5600	5100	6600	5800	5100	6500	5800	5100	5500	5500	4900
115	—	—	—	5800	5300	5100	6300	5600	5100	6200	5600	5000	5500	5500	4700
120	—	—	—	5500	5000	5000	5900	5500	5100	5900	5500	4900	5500	5500	4600
125	—	—	—	5300	4800	4800	5700	5300	5100	5700	5300	4800	5500	5300	4600
130	—	—	—	5100	4700	4700	5500	4900	4900	5600	5100	4700	5500	5100	4600
135	—	—	—	4800	4500	—	5300	4700	4700	5300	4900	4600	5400	5100	4600
140	—	—	—	4600	4300	—	5000	4600	4600	5000	4800	4600	5200	5000	4600
145	—	—	—	—	4200	—	4800	4400	—	4800	4600	4600	5100	4800	4400
150	—	—	—	—	4000	—	4600	4400	—	4700	4400	4400	4900	4700	4400
155	—	—	—	—	—	—	4400	4300	—	4500	4400	4400	4700	4500	4400
160	—	—	—	—	—	—	4300	4100	—	4300	4300	4300	4500	4400	4400
165	—	—	—	—	—	—	4100	3900	—	4200	4200	—	4300	4400	4400
170	—	—	—	—	—	—	—	3800	—	4200	4000	—	4000	4200	4200
175	—	—	—	—	—	—	—	—	—	4000	4000	—	3800	4400	4400
180	—	—	—	—	—	—	—	—	—	3900	3900	—	3600	3800	3900

THIS CHART IS ONLY A GUIDE AND SHOULD NOT BE USED TO OPERATE THE CRANE.

The individual crane's load chart, operating instructions and other instructional plates must be read and understood prior to operating the crane.

Load handling

Weight reductions for load handling devices		
8 m - 15 m (26.2 ft - 49.2 ft) : Boom extension:		
	Without block or ball	With 250 kg (550 lb) headache ball
*8 m (26.2 ft) extension (erected)	1057 kg (2330 lb)	1486 kg (3276 lb)
*15 m (49.2 ft) extension (erected)	1674 kg (3691 lb)	2245 kg (4950 lb)
*6.4 m (21 ft) insert	1339 kg (2952 lb)	1735 kg (3824 lb)
*12 m (39.4 ft) insert	2517 kg (5548 lb)	3029 kg (6678 lb)
Hook blocks and Headache ball:		
120 t (132 USt), 5-sheave		1100 kg+ (2425 lb+)
80 t (88 USt), 3-sheave		1000 kg+ (2205 lb+)
60 t (66 USt), 2-sheave		600 kg+ (1325 lb+)
15 t (16.5 USt) headache ball		250 kg+ (550 lb+)

*Reduction of main boom capacities
+Refer to rating plate for actual weight

When lifting over boom extension, deduct total weight of all load handling devices reeved over main boom nose from boom extension capacity.

NOTE: All load handling devices and boom attachments are considered part of the load and suitable allowances MUST BE MADE for their combined weights. Weights are for Grove furnished equipment.

Line pulls and reeving information			
Hoists	Cable specs	Permissible line pulls	Nominal cable length
Main and auxiliary	26 mm Verotop Rotation Resistant (non-rotating) Min. breaking strength 65 800 kg (145,000 lb)	12 500 kg* (27,600 lb*)	175 m (574 ft)
Main and auxiliary	26 mm Casar Starlift (35x7 class) Rotation Resistant Min. breaking strength 62 685 kg (138,200 lb)	12 500 kg* (27,600 lb*)	175 m (574 ft)

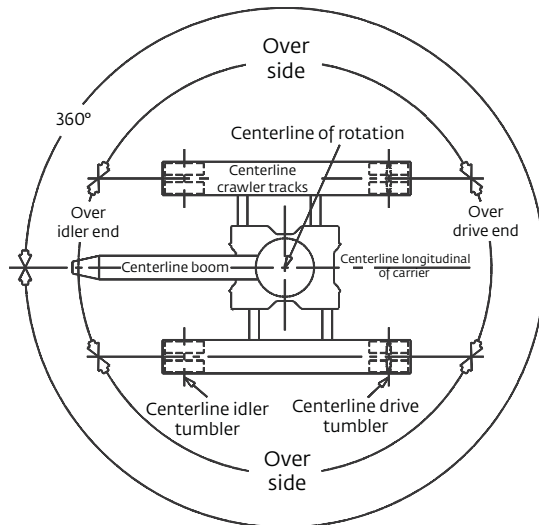
The approximate weight of Verotop and Casar 26 mm wire rope is 3,3 kg/m (2.2 lb/ft).

*With certain boom and hoist tackle combinations, the allowable line pull may be limited by hoist performance. Refer to Hoist Performance table for lift planning to ensure adequate hoist performance on drum rope layer required.

Hoist performance				
Wire rope layer	Hoist line pulls two-speed hoist		Drum rope capacity	
	Low available*	High available*	Layer	Total
1	18 365 kg (40,488 lb)	5874 kg (12,949 lb)	21,9 m (71.8 ft)	21,9 m (71.8 ft)
2	16 891 kg (37,238 lb)	5402 kg (11,910 lb)	23,9 m (78.1 ft)	45,7 m (149.9 ft)
3	15 636 kg (34,471 lb)	5001 kg (11,025 lb)	25,7 m (84.3 ft)	71,4 m (234.2 ft)
4	14 554 kg (32,087 lb)	4655 kg (10,262 lb)	27,6 m (90.6 ft)	99,0 m (324.8 ft)
5	13 613 kg (30,012 lb)	4354 kg (9598 lb)	29,5 m (96.9 ft)	128,5 m (421.7 ft)
6	12 786 kg (28,188 lb)	4089 kg (9015 lb)	31,4 m (103.1 ft)	160,0 m (524.8 ft)
7	12 053 kg (26,573 lb)	3855 kg (8499 lb)	33,3 m (109.4 ft)	193,3 m (634.2 ft)

*Max lifting capacity: Verotop & 35x7 class rope = 12 500 kg (27,600 lb)

Working area diagram



THIS CHART IS ONLY A GUIDE AND SHOULD NOT BE USED TO OPERATE THE CRANE.

The individual crane's load chart, operating instructions and other instructional plates must be read and understood prior to operating the crane.

Upper carriage

Standard boom

12,6 m – 40,2 m (41 ft 4 in – 131 ft 11 in) four-section, full power, sequenced-synchronized, telescopic boom.

Maximum tip height: 43 m (141 ft)

Boom extension

8 m (26 ft 3 in) offsettable, solid, one piece swingaway extension. Extension can be offset at 0°, 20° and 40°.

Maximum tip height: 51 m (167 ft 4 in)

Heavy duty jib extension

3 m (10 ft) heavy duty jib extension that is offset at 10°. Stowable on left side of boom.

*Optional boom extension

7 m (23 ft) offsettable fly jib extension that must be used in conjunction with standard 8 m (26 ft 3 in) boom extension. Provides a total of 15 m (49 ft 3 in) of additional reach. The optional fly jib extension can not be stowed on boom.

Maximum tip height: 57,5 m (188 ft 8 in)

Boom extension can be offset 0°, 20°, and 40°.

*Optional lattice inserts

One 5,6 m (18 ft 4 in) lattice insert with 0,8 m (2 ft 8 in) boom head for a total length of 6,4 m (21 ft) or two 5,6 m (18 ft 4 in) lattice inserts with 0,8 m (2 ft 8 in) boom head for a total length of 12 m (39 ft 4 in).

Non-stowable on boom.

Maximum tip height: 70 m (229 ft 8 in)

Boom nose

Five nylatron sheaves on heavy-duty roller bearings with removable rope guards. Quick reeve type boom nose.

Equipped with removable auxiliary boom nose.

Boom elevation

One double-acting hydraulic cylinder with integral holding valves. Elevation: -4.5° to 82°

Counterweight

33 320 kg (73,458 lb) total (5 pieces). Hydraulically installed and removed.

Rated capacity limiter and anti-two block system

Graphical display of load moment and anti-two block system with audio-visual warning and control lever lockout. These systems provide electronic display of crane configuration, boom angle, length, radius, tip height, maximum permissible load, momentary load and warning of impending two-block condition. Includes advanced diagnostics system that increases the performance of the machine, simplifies and accelerates troubleshooting, and lowers operating costs. Equipped with event recorder.

Cab

Large-capacity operator's compartment that includes an air suspended operator's seat with lumbar support, heated seat, headrest, 3 inch safety belt, ergonomic control panels, load sensing electric dual axis joystick controls, travel pedals and levers, exceptional sound insulation, sliding door (includes sliding window), excellent all around visibility, tinted safety glass, front tiltable window, large skylight w/ sun protection, windshield and roof wiper/washer system, radio w/ CD player, climate control (A/C, heat, and defrost), fire extinguisher, and 20° tilt capability for improved overhead vision and ergonomic posture. Also equipped with a 7 inch monitor in cab for rear view, right side and hoist cameras.

Swing

Two-speed, compact planetary gear with axial piston hydraulic motor and integrated brake valves. Sealed, externally geared slewing ring that allows for 360° of continuous rotation.

Electronically applied service brake operated via foot pedal. Spring applied, hydraulically released parking brake. Two position, hydraulically pinned house lock.

Swing speed: 0-2 rpm, variable

Hydraulic system

Load sensing / LUDV hydraulic system with hydraulic and pilot controlled work functions, and load limit sensing control. Single variable-displacement piston pump with a three-section gear pump.

Maximum output: 500 lpm (132 gpm)

Maximum operating pressure: 330 bar (4786 psi)

1125 L (297 gal) steel hydraulic reservoir with sight level gauge.

High performance, 3 micron filtration system with water absorption contamination indicator for higher oil purity and extended oil service life.

Hoist (main and auxiliary)

Two-speed hoists driven via an axial piston hydraulic motor with compact planetary gear. Spring-loaded disc brake.

Grooved drum with drum rotation indicator for both hoists that is located in the joystick controls.

Maximum hoist pull (first layer): 18 365 kg (40,488 lb)

Maximum permissible single line pull: 12 519 kg (27,600 lb)

Maximum single line speed: 115 m/min (377 ft/min)

Rope construction: 35 X 7 Rotation Resistant

Rope diameter: 26 mm

Rope length: 175 m (574 ft)

Engine (Tier 4)

Cummins QSB 6.7 L diesel, six cylinders, turbocharged with Cummins Diesel Oxidation (DOC) Catalyst and Selective Catalytic Reduction (SCR).

Meets USEPA Tier 4 final requirements.

168kW (228 bhp) at 2000 rpm.

Fuel requirements: Maximum of 15 ppm sulphur content (ultra-low diesel fuel). DEF (diesel exhaust fluid) required for SCR (selective catalytic reduction).

NOTE: Tier 4 engine required for sale in North America.

Specifications

Engine (Tier 3)

Cummins QSB 6,7 L diesel, six cylinders, turbocharged rated at 164 kW (223 bhp) at 2000 rpm.

NOTE: Required for sale outside of North America.

Fuel tank capacity

Diesel Fuel: 540 L (143 gal)

DEF (Diesel Exhaust Fluid): 38 L (10 gal)

Electrical system

24 volt with two 12-volt, maintenance-free batteries.

Includes battery disconnect switch.

Lights

Lighting package includes two halogen lights integrated into the front side of the cab roof and one LED headlight on the upper carriage, right side.

Lower carriage

Frame

Durable all steel welded construction with extendable side frame beams and hydraulic jacks for side frame installation and removal. Frame mounted hydraulic jacks also used for track extension and retraction.

Side frames

Four steel side frame beams that can be hydraulically extended or retracted via controls in the cab. 900 mm (36 in) triple bar maintenance-free track shoes.

Retracted gauge: 3,05 m (10 ft)

Intermediate gauge: 4,20 m (13 ft 9 in)

Extended gauge: 5,40 m (17 ft 9 in)

*Note: These widths are from centerline to centerline of crawlers.

Travel

Two-speed hydrostatic drive operated via lever/pedal controls in cab. Allows for excellent maneuverability with skid steering and counter-rotation. Both side frames are hydraulically driven through a two-stage hydraulic traction motor. Spring-loaded, hydraulically release multi-disk brake.

Travel Speed: Max Low Range – 0,80 kmh (0.50 mph)

Max High Range – 2,49 kmh (1.55 mph)

Gradeability (theoretical): 63%

Operating weight

113 780 kg (250,840 lb) base machine configuration that includes 40,2 m (131 ft 11 in) boom, 8 m (26 ft 3 in) extension, 60 t (66.1 USt) hook block, 900 mm (36 in) triple bar crawlers, main and auxiliary hoist, and 33 320 kg (73,458 lb) counterweight.

Ground bearing pressure (no load): 0,90 kg/cm² (12.8 psi)

Miscellaneous standard equipment

- Central, easily accessible lubricating strip.
- Grated platform in front of cab, and foldable grated

platforms on side of cab and both sides of the upper carriage. Foldable handrails included for upper carriage.

- Service friendly engine and hydraulic compartment with decoupled engine suspension, sound proofing and lighting.
- 80 t (88 USt) 3-sheave quick reeve hook block.
- External RCL light bar.
- CraneStar asset management system.
- Storage box attached to crawler side frame.

*Optional equipment

- Basket: Yoke style, 72 in x 36 in (1829 mm x 914 mm) steel basket, gravity hung with cylinder brake lock (does not side stow). Includes quick-attach boom attachment. Basket capacities: 544,3 kg (1200 lb) main boom and 226,7 kg (500 lb) on boom extension.
- Radio remote control package.
- Cold weather packages up to -40° C / 40° F.
- Maintenance-free flat track shoes.
- Polyurethane clamp-on track pads.

Symbols glossary



Boom



Counterweight



Heavy duty jib



Speed



Boom elevation



Electrical system



Hoist



Steering



Boom extension



Engine



Hook block



Suspension



Boom length



Extension



Hydraulic system



Swing



Boom nose



Frame



Lights



Tires



Brakes



Fuel tank capacity



Oil



Transmission



Cab



Outriggers



Outrigger controls



Crawler



Gear



Radius



Crawler



Grade



Rotation

Notes

Manitowoc Cranes

Regional headquarters

Americas

Manitowoc, Wisconsin, USA

Tel: +1 920 684 6621

Fax: +1 920 683 6277

Shady Grove, Pennsylvania, USA

Tel: +1 717 597 8121

Fax: +1 717 597 4062

Europe, Middle East, Africa

Dardilly, France

Tel: +33 (0)4 72 18 20 20

Fax: +33 (0)4 72 18 20 00

China

Shanghai, China

Tel: +86 21 6457 0066

Fax: +86 21 6457 4955

Greater Asia-Pacific

Singapore

Tel: +65 6264 1188

Fax: +65 6862 4040



Manitowoc Crane Care when you need it.

The assurance of the world's most advanced crane service and support to get you back to work fast.



Manitowoc Finance helps you get right to work generating profits for your business.

Financial tools that help you capitalize on opportunity with solutions that fit your needs.

This document is non-contractual. Constant improvement and engineering progress make it necessary that we reserve the right to make specification, equipment, and price changes without notice. Illustrations shown may include optional equipment and accessories and may not include all standard equipment.